



B630

Product type designation

Contact characteristics

Number of poles	nr.	3
Rated insulation voltage U_i	V	1000
Rated impulse withstand voltage U_{imp}	kV	8
Operating frequency	Operational frequency min	Hz 25
	Operational frequency max	Hz 400
Conventional free air thermal current I_{th}	A	800
Operating current	Operational current AC3 ($\leq 440V \leq 55^\circ C$)	A 630
	Operational current AC4 (400V)	A 210
Short-time allowable current for 10s (IEC/EN60947-1)	A	5040
Protection fuse	gG (IEC)	A 1000
	aM (IEC)	A 630
Making capacity (RMS value)	A	6300
Breaking capacity at voltage	Breaking capacity 440V	A 6300
	Breaking capacity 500V	A 5600
	Breaking capacity 690V	A 5000
Resistance per pole (average value)	m Ω	0.14
Power dissipation per pole (average value)	Power dissipation pole (average value) I_{th}	W 90
	AC3	W 56
Tightening torque for terminals	min	Nm 55
	max	Nm 55
	min	lbft 40.6
	max	lbft 40.6
Tightening torque for coil terminal	min	Nm 1
	max	Nm 1
	min	lbft 0.74
	max	lbft 0.74

Ambient conditions

Temperature

Operating temperature

min	$^\circ C$	-50
max	$^\circ C$	70

Storage temperature

min	$^\circ C$	-60
max	$^\circ C$	80

Max altitude

m 3,000

Operating position

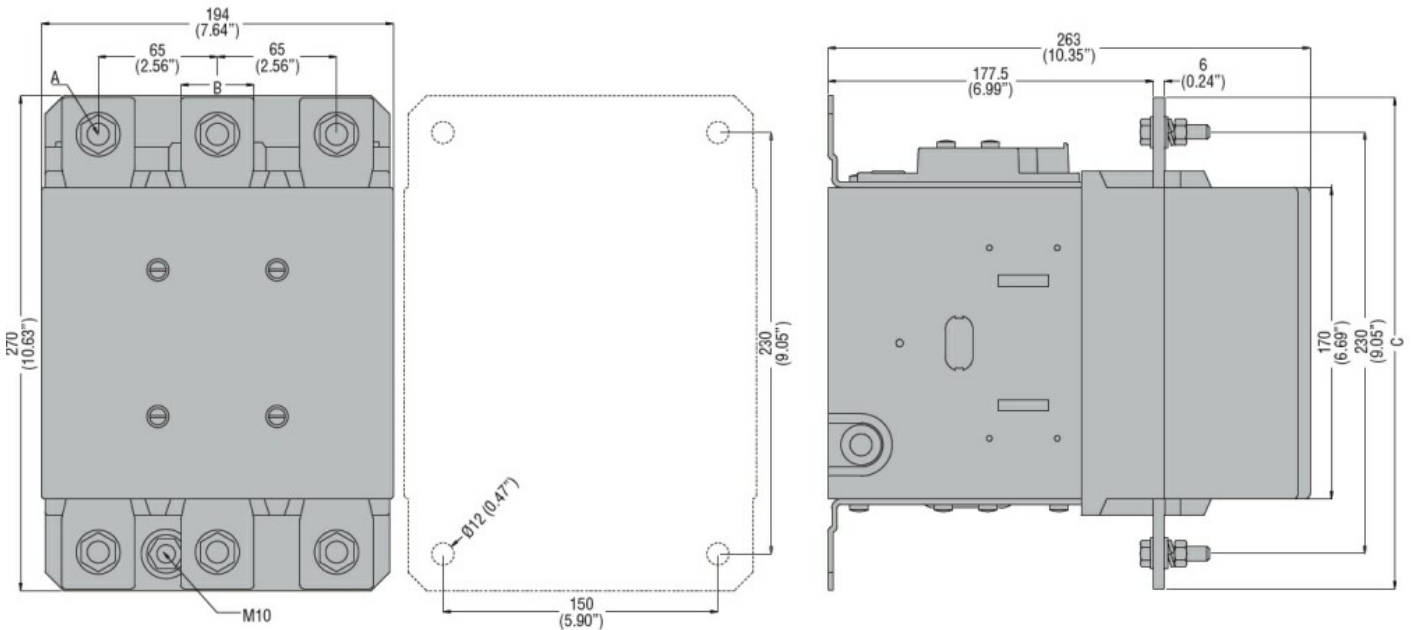
	normal allowable	Vertical plan ±30°
Mounting		Screw / DIN rail 35mm
Weight	g	18.62
Operations		
Mechanical life	Cycles	5,000,000
Electrical life	Cycles	700000
Safety related data		
Mirror contacts according to IEC/EN 609474-4-1		Yes
EMC compatibility		Yes
AC coil operating		
Rated AC voltage at 50/60Hz, 60Hz	min V	48
	max V	480

AC operating voltage	of 50/60Hz coil powered at 50Hz pick-up	
	min %Us	80
	max %Us	110

DC coil operating		
DC operating voltage		
Average coil consumption ≤20°C	in-rush W	400
	holding W	18

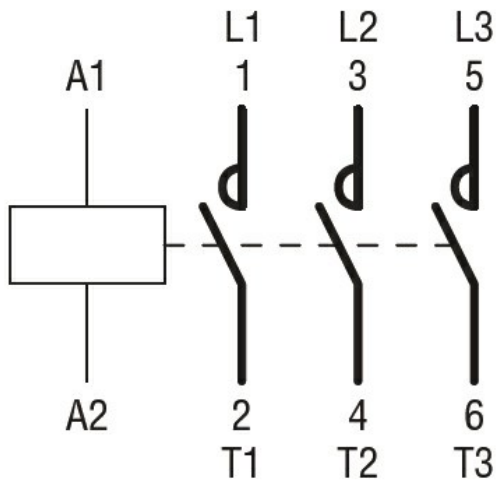
Max cycles frequency		
Mechanical operations	Cycles/h	3,600

Dimensions



CONTACTOR TYPE	A	B	C
B500	M10	35 (1.38")	265 (10.43")
B630	M12	40 (1.57")	270 (10.63")

Wiring diagrams



Certifications and compliance

Certifications

CSA C22.2 n° 60947-1

CSA C22.2 n° 60947-4-1

IEC/EN 60947-1

IEC/EN 60947-4-1

UL 60947-1

UL 60947-4-1

Compliance

CCC

cULus

EAC

ETIM 6 classification

EC000066 - Power contactor, AC switching