



B400

Product type designation

Contact characteristics

Number of poles	nr.	3
Rated insulation voltage U_i	V	1000
Rated impulse withstand voltage U_{imp}	kV	8
Operating frequency	Operational frequency min	Hz 25
	Operational frequency max	Hz 400
Conventional free air thermal current I_{th}	A	550
Operating current	Operational current AC3 ($\leq 440V \leq 55^\circ C$)	A 420
	Operational current AC4 (400V)	A 133
	Short-time allowable current for 10s (IEC/EN60947-1)	A 3600
Protection fuse	gG (IEC)	A 630
	aM (IEC)	A 400
Making capacity (RMS value)	A	4200
Breaking capacity at voltage	Breaking capacity 440V	A 4000
	Breaking capacity 500V	A 3400
	Breaking capacity 690V	A 3360
Resistance per pole (average value)	m Ω	0.2
Power dissipation per pole (average value)	Power dissipation pole (average value) I_{th}	W 52
	AC3	W 32
Tightening torque for terminals	min	Nm 35
	max	Nm 35
	min	lbft 25.8
	max	lbft 25.8
Tightening torque for coil terminal	min	Nm 1
	max	Nm 1
	min	lbft 0.74
	max	lbft 0.74

Ambient conditions

Temperature

Operating temperature

min	$^\circ C$	-50
max	$^\circ C$	70

Storage temperature

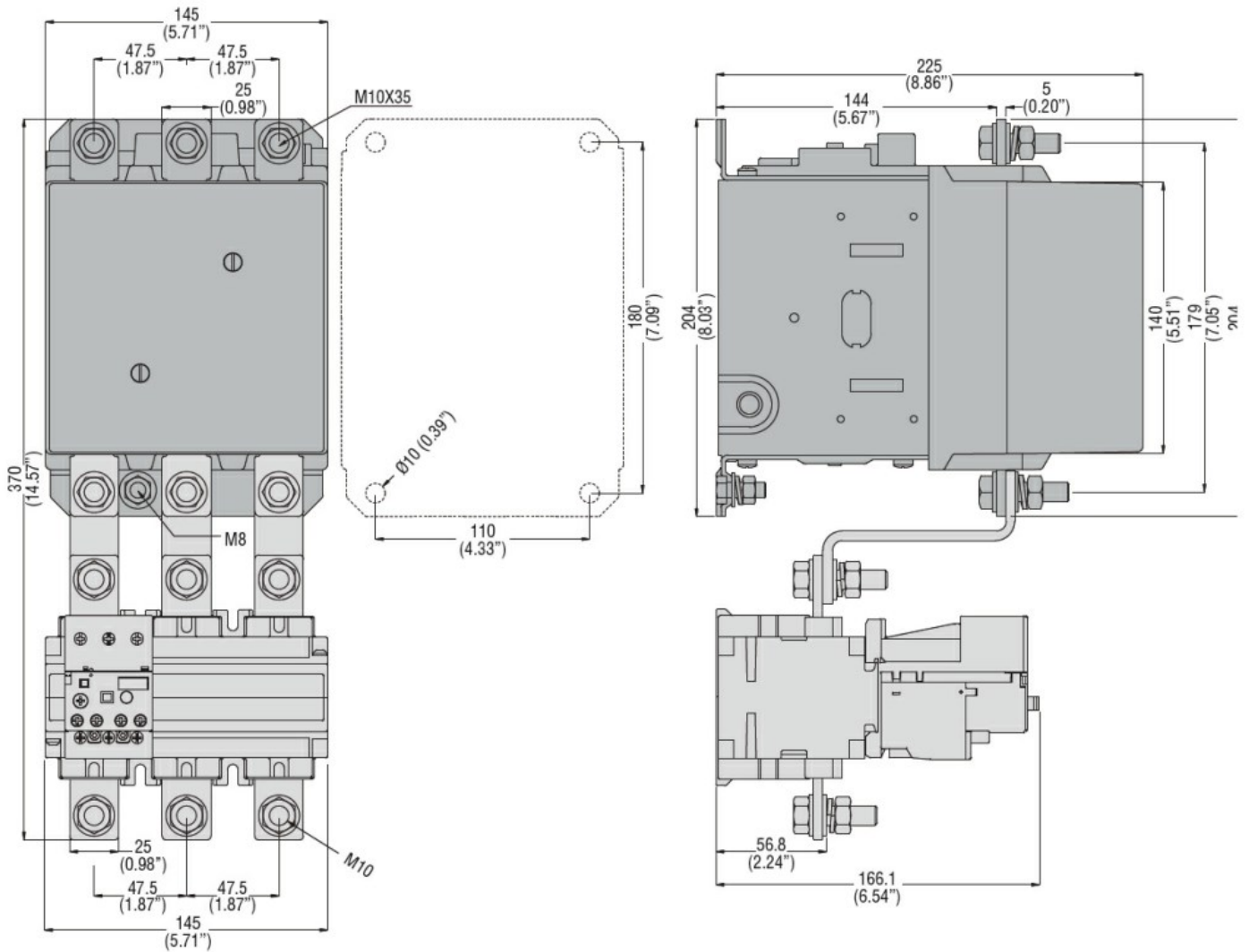
min	$^\circ C$	-60
max	$^\circ C$	80

Max altitude

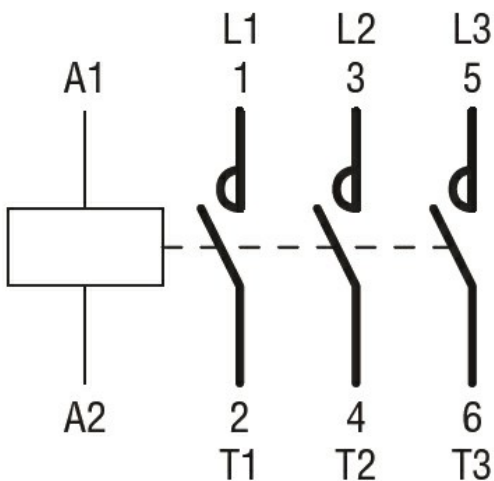
m 3,000

Operating position

	normal allowable		Vertical plan ±30°
Mounting			Screw / DIN rail 35mm
Weight		g	9.575
Operations			
Mechanical life		Cycles	10,000,000
Electrical life		Cycles	700000
Safety related data			
Mirror contacts according to IEC/EN 609474-4-1			Yes
EMC compatibility			Yes
AC coil operating			
Rated AC voltage at 50/60Hz, 60Hz		min V	24
		max V	480
AC operating voltage			
	of 50/60Hz coil powered at 50Hz		
	pick-up	min %Us	80
		max %Us	110
DC coil operating			
DC operating voltage			
Average coil consumption ≤20°C		in-rush W	300
		holding W	10
Max cycles frequency			
Mechanical operations		Cycles/h	3,600
Dimensions			



Wiring diagrams



Certifications and compliance

Certifications

- CSA C22.2 n° 60947-1
- CSA C22.2 n° 60947-4-1
- IEC/EN 60947-1
- IEC/EN 60947-4-1
- UL 60947-1

Compliance	UL 60947-4-1
	CCC
	cULus
	EAC

ETIM 6 classification
EC000066 - Power contactor, AC switching