

Intended use

Your BLACK+DECKER HX230 Fan heater has been designed for heating rooms.

This product is intended for consumer use only.

Thank you for choosing BLACK+DECKER. We hope that you will enjoy using this product for many years.

For indoor domestic household use only.

This appliance is not to be used in:

- Staff kitchen areas in shops, offices and other working environments;
- Farm Houses;
- By clients in hotels, motels and other residential type environments;
- Bed and breakfast type environments or any other non household type environments.

Safety instructions



Warning! Read all safety warnings and all instructions. Failure to follow the warnings and instructions listed below may result in electric shock, fire and/or serious injury.

- Read all of this manual carefully before using the appliance.
- The intended use is described in this manual. The use of any accessory or attachment or the performance of any operation with this appliance other than those recommended in this instruction manual may present a risk of personal injury.

Warning! When using mains-powered appliances, basic safety precautions, including the following, should always be followed to reduce the risk of fire, electric shock and personal injury and material damage.

- The intended use is described in this manual. The use of any accessory or attachment or the performance of any operation with this appliance other than those recommended in this instruction manual may present a risk of personal injury.
- Retain this manual for future reference.

Using your appliance

- Always take care when using the appliance.
- Never pull the power supply cord to disconnect the plug from the socket.
- Keep the power supply cord away from heat, oil and sharp edges.
- Do not place the appliance on or near heat sources or in a heated oven.
- Do not use the appliance outdoors.
- Always protect the motor unit from water or excessive humidity.
- If the power supply cord is damaged during use, disconnect the appliance from the power supply

immediately. Do not touch the power supply cord before disconnecting from the power supply.

- Disconnect the appliance from the power supply when not in use, before fitting or removing parts and before cleaning.
- Never let the appliance operate unattended.
- Do not let the cord hang over the edge of a table, counter, or touch hot surfaces.
- Fully uncoil then guide the power supply cord neatly so it cannot be caught accidentally or tripped over.
- The heater must not be located immediately below a socket-outlet.
- To prevent overload and blown fuses, do not plug other appliance into same outlet (receptacle)
- Do not place the heater on carpets, don't place the cable under carpets. Arrange cord away from trac areas so that it will not be tripped over.
- NEVER use this heater where it may come into contact with water i.e. bathroom, shower room, kitchen. Do not use this heater in the immediate surroundings of a bath, a shower or a swimming pool.

Warning! In order to avoid overheating, do not cover the heater. NEVER use the heater to dry clothes or similar articles.

- Don't touch the hot surfaces.
- Do not position the appliances in close proximity to curtains or other combustible materials. Keep combustible material such as furniture, cushions, bedding, paper, clothes, curtains etc. at least 1.0m away from the heater.
- Always ensure that hands are dry before operating or adjusting any switch on the product or touching the plug and mains supply connections.
- Do not use this heater with a programmer, timer, separate remote-control system or any other device that switches the heater on automatically, since a fire risk exists if the heater is covered or positioned incorrectly.
- To prevent a possible fire, do not block air intakes or exhaust in any manner. Do not use on soft surfaces, like a bed, where openings may become blocked.
- Do not store away until the heater cools down, store the heater in cool dry location when not in use.
- Don't use extension cable.
- Always operate on a flat horizontal surface.
- Do not insert or allow foreign objects to enter any ventilation or exhaust opening, as this may cause an electric shock, fire or damage to the appliance.
- Do not operate in areas where gasoline, paint or other flammable liquids are used or stored.
- The most common cause of overheating is deposits of dust or fluff in the appliance. Ensure these deposits are removed regularly by unplugging the appliance and vacuum cleaning air vents and grilles.

- Always use the heater in an upright position.
- Do not use the appliance in rooms less than 4m² area.
- To disconnect the appliance, switch it "OFF" then remove the plug from outlet. Do not pull out the cord because this could damage it.
- The temperature of accessible surfaces may be high during use and for some time afterwards.

Warning! This heater is not equipped with a device to control the room temperature. Do not use this heater in small rooms when they are occupied by persons not capable of leaving the room on their own, unless constant supervision is provided.

- Always leave sufficient space around the heater for ventilation

Safety of others

- This appliance is not intended for use by persons (including children) with reduced physical, sensory or mental capabilities, or lack of experience and knowledge, unless they have been given supervision or instruction concerning use of the appliance by a person responsible for their safety.
- Children should be supervised to ensure that they do not play with the appliance.
- Do not allow children or any person unfamiliar with these instructions to use the appliance.
- Do not allow children or animals to come near the work area or to touch the appliance or power supply cord.
- Close supervision is necessary when the appliance is used near children.
- Children of less than 3 years should be kept away unless continuously supervised.
- Children aged from 3 years and less than 8 years shall only switch on/off the appliance provided that it has been placed or installed in its intended normal operating position and they have been given supervision or instruction concerning use of the appliance in a safe way and understand the hazards involved"
- Children aged from 3 years and less than 8 years shall not plug in, regulate and clean the appliance or perform user maintenance

Caution! Some parts of this product can become very hot and cause burns. Particular attention has to be given where children and vulnerable people are present.

After use

- Remove the plug from the socket before leaving the appliance unattended and before changing, cleaning or inspecting any parts of the appliance.
- When not in use, the appliance should be stored in a dry place. Children should not have access to stored appliances.

Inspection and repairs

- Switch off the appliance before cleaning, changing accessories or approaching parts which move in use.
- Before use, check the appliance for damaged or defective parts. Check for breakage of parts, damage to switches and any other conditions that may affect its operation.
- Do not use the appliance if any part is damaged or defective.
- Have any damaged or defective parts repaired or replaced by an authorised repair agent.
- Before use, check the power supply cord for signs of damage, ageing and wear.
- Do not use the appliance if the power supply cord or mains plug is damaged or defective.
- If the power supply cord or mains plug is damaged or defective it must be repaired by an authorised repair agent in order to avoid a hazard. Do not cut the power supply cord and do not attempt to repair it yourself.
- Never attempt to remove or replace any parts other than those specified in this manual.

Electrical safety

Before use, check that the mains voltage corresponds to the voltage on the rating plate.



This appliance is double insulated therefore no earth wire is required.

- To avoid the risk of electric shock, do not immerse the cord, plug or motor unit in water or other liquid.
- Check that the supply voltage shown on the rating plate of the appliance matches that of your electrical system. Any connection error will invalidate the guarantee.

Labels on Appliance

The following pictograms along with the date code are shown on the tool:



Warning! Hot surface.



Warning! In order to avoid overheating, do not cover the heater.

Features

1. Mode setting switch
2. Thermostat control switch
3. Indicator
4. Outlet grill


Use

Your appliance is fitted with a thermostat for your safety. Using the appliance continuously for very long periods may cause the appliance to overheat and stop working. It is therefore recommended that you disconnect the appliance from the mains supply and allow to fully cool before continuing use.

- Place the appliance on a flat, stable surface.
- Connect it to the electricity supply.
- Select the operating mode.
- Set the thermostat to the required setting.

Mode setting

The fan heater incorporates a rotate on switch you can select the different air by turning the switch clockwise to:

0	Off
	Fan only
I	Warm air
II	Hot air

Thermostat

When heating mode is selected

- Turn the thermostat knob in a clockwise direction to the max position.
- Once the room has reached the desired temperature, turn the thermostat knob slowly in an anti-clockwise direction until a "click" sound is heard. That is the setting temperature. Now, the thermostat is switched off.
- The thermostat will automatically maintain the set temperature. It will switch on when the room temperature is below and switch off if above the setting.
- The indicator lamp shows that heating mode is switched on.

Cleaning and maintenance & storage

Warning! Before cleaning and maintenance, switch the appliance off and remove the plug from the socket.

Warning! Do not immerse the appliance or the cord set or the plug in water or any other liquid.

- The appliance is easier to clean if you do so immediately after use.
- Do not use abrasive cleaning agents, scourers, acetone, alcohol etc. to clean the appliance.
- Clean the motor unit with a damp cloth. Never immerse the motor unit in water nor rinse it under the tap.

Mains plug replacement

If a new mains plug needs to be fitted:

- Safely dispose of the old plug.
- Connect the brown lead to the live terminal of the new plug.

- Connect the blue lead to the neutral terminal.
- If the product is class I (earthed), connect the green / yellow lead to the earth terminal.

Warning! If your product is class II double insulated (only 2 wires in the cord set), no connection is to be made to the earth terminal.

Follow the fitting instructions supplied with good quality plugs. Any replacement fuse must be of the same rating as the original fuse supplied with the product.

Protecting the environment



Separate collection. This product must not be disposed of with normal household waste.

Should you find one day that your Black+Decker product needs replacement, or if it is of no further use to you, do not dispose of it with other household waste. Make this product available for separate collection.

- Black+Decker provides a facility for recycling Black+Decker products once they have reached the end of their working life. This service is provided free of charge. To take advantage of this service please return your product to any authorised repair agent who will collect them on our behalf.
- You can check the location of your nearest authorised repair agent by contacting your local Black+Decker office at the address indicated in this manual. Alternatively, a list of authorized Black+Decker repair agents and full details of our after-sales service and contact are available on the Internet at: www.2helpU.com.

Technical data

		HX230
Voltage	V _{AC}	230 - 240
Product dimensions	Cm	24.4 x 30.5 x 12
Net Weight	Kg	Approx. 1.4

Warranty

Black+Decker is confident of the quality of its products and offers an outstanding warranty.

This warranty statement is in addition to and in no way prejudices your statutory rights.

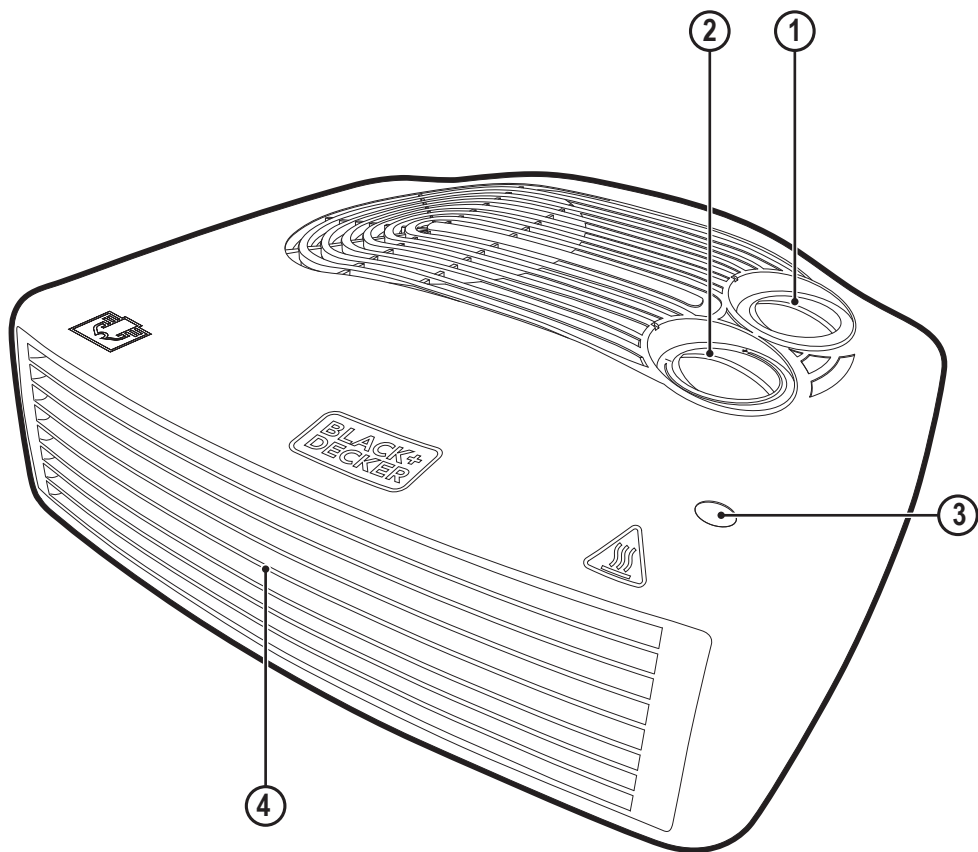
The warranty is valid within the territories of the Member States of the European Union and the European Free Trade Area.

If a Black+Decker product becomes defective due to faulty materials, workmanship or lack of conformity, within 24 months from the date of purchase, Black+Decker warranty to replace defective parts, repair products subjected to fair wear and tear or replace such products to ensure minimum inconvenience to the customer unless:

- The product has been used for trade, professional or hire purposes;
- The product has been subjected to misuse or neglect;
- The product has sustained damage through foreign objects, substances or accidents;
- Repairs have been attempted by persons other than authorised repair agents or Black+Decker service staff.

To claim on the warranty, you will need to submit proof of purchase to the seller or an authorised repair agent. You can check the location of your nearest authorised repair agent by contacting your local Black+Decker office at the address indicated in this manual.

Alternatively, a list of authorised Black+Decker repair agents and full details of our after-sales service and contacts are available on the Internet at: www.2helpU.com.



Usage prévu

Votre radiateur soufflant BLACK+DECKER HX230 a été conçu pour le chauffage de pièces.

Ce produit est destiné à un usage domestique uniquement.

Merci d'avoir choisi BLACK+DECKER. Nous espérons que vous profiterez de ce produit pendant de nombreuses années.

Pour usage domestique en intérieur uniquement.

Cet appareil ne doit pas être utilisé :

- dans une cuisine pour les employés d'une boutique, de bureaux et d'autres environnements professionnels ;
- dans les fermes ;
- par les clients d'hôtels, motels et autres environnements de type résidentiel ;
- dans les chambres d'hôtes ou tout autre environnement non résidentiel.

Consignes de sécurité



Avvertissement ! Lisez toutes les consignes de sécurité et toutes les instructions. Le non-respect de ces avvertissements et de ces instructions peut causer un incendie, une électrocution ou de graves blessures.

- Lisez attentivement ce manuel dans son intégralité avant d'utiliser l'appareil.
- L'usage prévu est décrit dans le présent manuel. L'utilisation d'accessoires ou pièces rajoutées et de l'appareil en lui-même doit se faire uniquement selon les recommandations de ce manuel d'instructions. Dans le cas contraire, il existe un risque de blessure.

Avvertissement ! Lorsque que vous utilisez des appareils électriques, veuillez toujours respecter les précautions élémentaires de sécurité, entre autres, pour réduire le risque d'incendie, d'électrocution et de blessures corporelles et des dommages matériels.

- L'usage prévu est décrit dans le présent manuel. L'utilisation d'accessoires ou pièces rajoutées et de l'appareil en lui-même doit se faire uniquement selon les recommandations de ce manuel d'instructions. Dans le cas contraire, il existe un risque de blessure.
- Conservez ce manuel de sorte à pouvoir vous y reporter plus tard.

Utilisation de votre appareil

- Utilisez toujours l'appareil avec précaution.
- Ne tirez jamais sur le cordon d'alimentation pour débrancher la prise.
- Maintenez le cordon d'alimentation à l'écart des sources de chaleur, de l'huile et des bords tranchants.
- Ne posez pas l'appareil sur ou à proximité de sources de chaleur ou directement en dessous des armoires.
- N'utilisez pas l'appareil à l'extérieur.
- Protégez toujours le moteur contre l'eau ou l'humidité

excessive.

- Si le cordon d'alimentation est endommagé pendant l'utilisation, débranchez immédiatement l'appareil. Ne touchez pas le cordon d'alimentation avant de le débrancher de l'alimentation.
- Débranchez l'appareil avant le montage/démontage et le nettoyage des pièces.
- Ne laissez jamais l'appareil en marche sans surveillance.
- Ne laissez pas le cordon pendre au bord de la table, du comptoir, ou toucher les surfaces chaudes.
- Déroulez entièrement le cordon d'alimentation et guidez-le de manière à éviter tout risque d'accident ou de chute.
- Le radiateur ne doit pas se trouver directement en dessous d'une prise de courant.
- Pour éviter tout risque de surcharge et de fusible grillé, ne branchez pas d'autre appareil sur la même prise (réceptacle).
- Ne placez pas le radiateur sur des tapis et ne placez pas le cordon sous des tapis. Ne positionnez pas la corde dans le passage de sorte à éviter tout risque de trébuchement.
- N'utilisez jamais le radiateur dans des endroits où il est susceptible d'entrer en contact avec de l'eau (salle de bain, de douche, cuisine). N'utilisez pas le radiateur à proximité directe d'une baignoire, d'une douche ou d'une piscine.

Avvertissement ! Afin d'éviter la surchauffe, ne recouvrez pas le radiateur. N'utilisez JAMAIS le radiateur pour sécher des vêtements ou accessoires similaires.

- Ne touchez pas les surfaces chaudes.
- Ne placez pas les appareils à proximité directe de rideaux ou d'autres matériaux combustibles. Gardez une distance minimale d'un mètre entre le radiateur et tout matériel combustible (meubles, coussins, literie, draps, papier, vêtements, rideaux, etc.).
- Assurez-vous de toujours avoir les mains sèches avant d'utiliser ou de régler des boutons sur le produit ou encore de toucher la prise et la connexion à l'alimentation secteur.
- N'utilisez pas ce radiateur avec un programmeur, un minuteur, un système de télécommande distinct ou tout autre appareil d'allumage automatique du radiateur, car il existe un risque d'incendie si le radiateur est recouvert ou mal positionné.
- Pour éviter les incendies, ne bloquez pas les entrées ou la conduite d'air de quelque manière que ce soit. N'utilisez pas l'appareil sur des surfaces souples, comme un lit, qui présentent une possibilité de blocage des ouvertures.
- Attendez que le radiateur ait refroidi pour le ranger et rangez-le dans un endroit sec lorsque vous ne l'utilisez plus.
- N'utilisez pas de rallonge.

- Utilisez toujours l'appareil sur une surface plane et horizontale.
- N'introduisez pas et ne laissez pas passer des objets étrangers dans les ouvertures des ventilations et conduites, sous risque de choc électrique, d'incendie ou de dommage sur l'appareil.
- N'utilisez pas l'appareil dans des zones où essence, peinture et autres substances inflammables sont utilisées ou rangées.
- La cause de surchauffe la plus courante est le dépôt de poussière ou de peluches dans l'appareil. Vérifiez que ces dépôts sont retirés régulièrement en débranchant l'appareil et en aspirant les bouches d'aspiration et grilles.
- Utilisez toujours le radiateur en position verticale.
- Utilisez-le dans des pièces de superficie d'au moins 4m2 uniquement.
- Pour débrancher l'appareil, mettez-le hors tension puis retirez la fiche de la prise. Ne tirez pas sur le cordon, ceci pourrait l'endommager.
- La température des surfaces accessibles peut être élevée pendant l'utilisation et un certain temps après.

Avertissement ! Ce radiateur n'est pas équipé d'un appareil de contrôle de la température de la pièce. N'utilisez pas ce radiateur dans des petites pièces occupées par des personnes dans l'incapacité de sortir d'eux-mêmes, sauf en cas de surveillance constante.

- Assurez-vous de toujours laisser un espace suffisant autour du radiateur pour la ventilation

Sécurité d'autrui

- Cet appareil n'est pas prévu pour être utilisé par des personnes (y compris les enfants) présentant des capacités physiques, sensorielles ou mentales réduites, ou manquant d'expérience et de connaissances, sans surveillance ou sans avoir reçu d'instructions concernant l'utilisation de l'appareil de la part d'une personne responsable de leur sécurité.
- Les enfants doivent être surveillés pour s'assurer qu'ils ne jouent pas avec l'appareil.
- Ne laissez pas les enfants et les personnes non familiarisées avec ces instructions utiliser cet appareil.
- Ne laissez pas les enfants ou les animaux s'approcher de la zone de travail ou toucher l'appareil ou le cordon d'alimentation.
- Lorsque l'appareil est utilisé à proximité d'enfants, une surveillance étroite doit être exercée.
- Surveillez les enfants de moins de 3 ans en permanence ou tenez-les à l'écart.
- Les enfants entre trois et huit ans ne doivent allumer/éteindre l'appareil que s'il a été placé ou installé dans un environnement lui permettant de fonctionner de manière optimale, à condition de les surveiller ou de leur expliquer comment utiliser l'appareil de manière

sécurisée et les risques potentiels.

- Les enfants entre trois et huit ans ne doivent pas brancher, régler et nettoyer l'appareil, ou encore effectuer des opérations de maintenance.

Attention ! Certaines pièces de l'appareil sont susceptibles d'atteindre des températures élevées et de provoquer des brûlures. Faites preuve d'une attention particulière en cas de présence d'enfants ou de personnes vulnérables.

Après utilisation

- Débranchez l'appareil avant de le laisser sans surveillance et avant de changer, nettoyer ou inspecter des pièces lui appartenant.
- Lorsqu'il n'est pas utilisé, l'appareil doit être rangé dans un endroit sec. Les enfants ne doivent pas avoir accès aux appareils rangés.

Inspection et réparations

- Mettez l'appareil hors tension avant de le nettoyer, de remplacer des accessoires ou d'approcher des pièces mobiles en cours d'utilisation.
- Avant d'utiliser l'appareil, vérifiez qu'aucune pièce n'est endommagée ou défectueuse. Vérifiez l'absence de pièces cassées, d'interrupteurs endommagés ou d'autres éléments pouvant affecter son fonctionnement.
- N'utilisez pas l'appareil si une pièce est endommagée ou défectueuse.
- Faites réparer ou remplacer les pièces endommagées ou défectueuses par un agent de réparation agréé.
- Avant d'utiliser l'appareil, contrôlez l'absence de signes d'endommagement, de vieillissement et d'usure au niveau du cordon d'alimentation.
- N'utilisez pas l'appareil si la prise ou le cordon d'alimentation est endommagé ou défectueux.
- Si la prise ou le cordon d'alimentation est endommagé ou défectueux, sa réparation doit être effectuée par un agent de réparation agréé afin d'éviter tout danger. Ne coupez pas le cordon d'alimentation et n'essayez pas de le réparer par vos propres moyens.
- N'essayez jamais de retirer ou de remplacer des pièces différentes de celles indiquées dans le présent manuel.

Sécurité électrique

Avant d'utiliser l'appareil, vérifiez que la tension secteur correspond à celle de la plaque signalétique.



Cet appareil dispose d'une double isolation ; ainsi, aucun fil de terre n'est nécessaire.

- Pour éviter le risque d'électrocution, ne plongez pas le cordon, la prise ou le groupe moteur dans l'eau ou d'autres liquides.

- Vérifiez que la tension d'alimentation indiquée sur la plaque signalétique correspond à celle de votre système électrique. Toute erreur de branchement annule la garantie.

Étiquettes sur l'appareil

Les pictogrammes suivants ainsi que le code de date apparaissent sur l'appareil :



Avertissement ! Surface chaude.



Avertissement ! Afin d'éviter la surchauffe, ne recouvrez pas le radiateur.

Caractéristiques

1. Bouton de paramétrage du mode
2. Bouton de contrôle du thermostat
3. Voyant
4. Grille de sortie de l'air

Mode d'emploi

Votre appareil est équipé d'un thermostat pour votre sécurité. Une utilisation continue et prolongée peut provoquer une surchauffe ou une panne de l'appareil. Il est donc recommandé de le débrancher de l'alimentation secteur et de lui laisser le temps de refroidir complètement avant de l'utiliser en continu.

- Placez l'appareil sur une surface plate et stable.
- Branchez-le à l'alimentation.
- Sélectionnez le mode de fonctionnement.
- Réglez le thermostat à la température souhaitée.

Paramètre du mode

Le radiateur soufflant est doté d'un bouton rotatif avec lequel vous pouvez sélectionner le type de ventilation en le tournant dans le sens des aiguilles d'une montre dans les positions :

- | | |
|----|------------------------|
| 0 | Arrêt |
| | Ventilateur uniquement |
| I | Air chaud |
| II | Air plus chaud |

Thermostat

Lorsque le mode chauffage est sélectionné

- Tournez le bouton du thermostat dans le sens des aiguilles d'une montre jusqu'à la position Max.
- Une fois que la pièce a atteint la température souhaitée, tournez le thermostat doucement dans le sens contraire des aiguilles d'une montre jusqu'à ce qu'un clic se fasse

ressentir. Il s'agit de la température paramétrée. Le thermostat est éteint.

- Il maintient automatiquement la température définie. Il s'allume lorsque la température de la pièce est en dessous de celle définie et s'éteint lorsque la température de la pièce dépasse celle définie.
- Le voyant indique que le mode chauffage est allumé.

Nettoyage et entretien & stockage

Avertissement ! Avant le nettoyage et l'entretien, éteignez l'appareil et débranchez la prise.

Avertissement ! Ne plongez pas l'appareil ou le cordon ou la fiche dans l'eau ou tout autre liquide.

- L'appareil est plus facile à nettoyer immédiatement après l'utilisation.
- Pour le nettoyage, n'utilisez pas d'agents nettoyants abrasifs, d'éponge métallique, d'acétone, d'alcool, etc.
- Nettoyez le bloc moteur avec un chiffon humide. N'immergez jamais le bloc moteur dans l'eau et ne le rincez jamais sous l'évier.

Remplacement de la prise électrique

En cas de besoin de montage d'une nouvelle prise :

- Mettez dûment l'ancienne prise au rebut.
- Connectez le fil marron à la borne sous tension de la nouvelle prise.
- Connectez le fil bleu à la borne neutre.
- Si le produit est de classe I (relié à la terre), connectez le fil vert/jaune à la borne de terre.

Avertissement ! Si votre appareil est un produit de classe II avec double isolation (seulement 2 fils dans le jeu de cordon), aucun raccordement à la borne de terre n'est nécessaire.

Suivez les consignes d'installation fournies avec les prises de bonne qualité.

Tout fusible de rechange doit avoir les mêmes caractéristiques nominales que le fusible d'origine fourni avec le produit

Protection de l'environnement



Collecte séparée. Ce produit ne doit pas être jeté avec les déchets domestiques normaux.

Si vous décidez de remplacer ce produit Black+Decker, ou si vous n'en avez plus l'utilité, ne le jetez pas avec vos déchets domestiques. Rendez-le disponible pour une collecte séparée.

- Black+Decker fournit un dispositif permettant de collecter et de recycler les produits Black+Decker lorsqu'ils ont atteint la fin de leur cycle de vie. Pour pouvoir profiter de ce service, veuillez retourner votre produit à un réparateur agréé qui se chargera de le collecter pour nous.

- Pour connaître l'adresse du réparateur agréé le plus proche de chez vous, contactez le bureau Black+Decker à l'adresse indiquée dans ce manuel. Vous pourrez aussi trouver une liste des réparateurs agréés de Black+Decker et de plus amples détails sur notre service après-vente sur le site Internet à l'adresse suivante : www.2helpU.com

Caractéristiques techniques

		HX230
Tension	V _{CA}	230-240
Dimensions du produit	Cm	24,4/30,5x12
Poids net	kg	Environ 1,4

Garantie

Black+Decker est confiant dans la qualité de ses produits et vous offre une garantie très étendue.

Ce certificat de garantie est un document supplémentaire et ne peut en aucun cas se substituer à vos droits légaux.

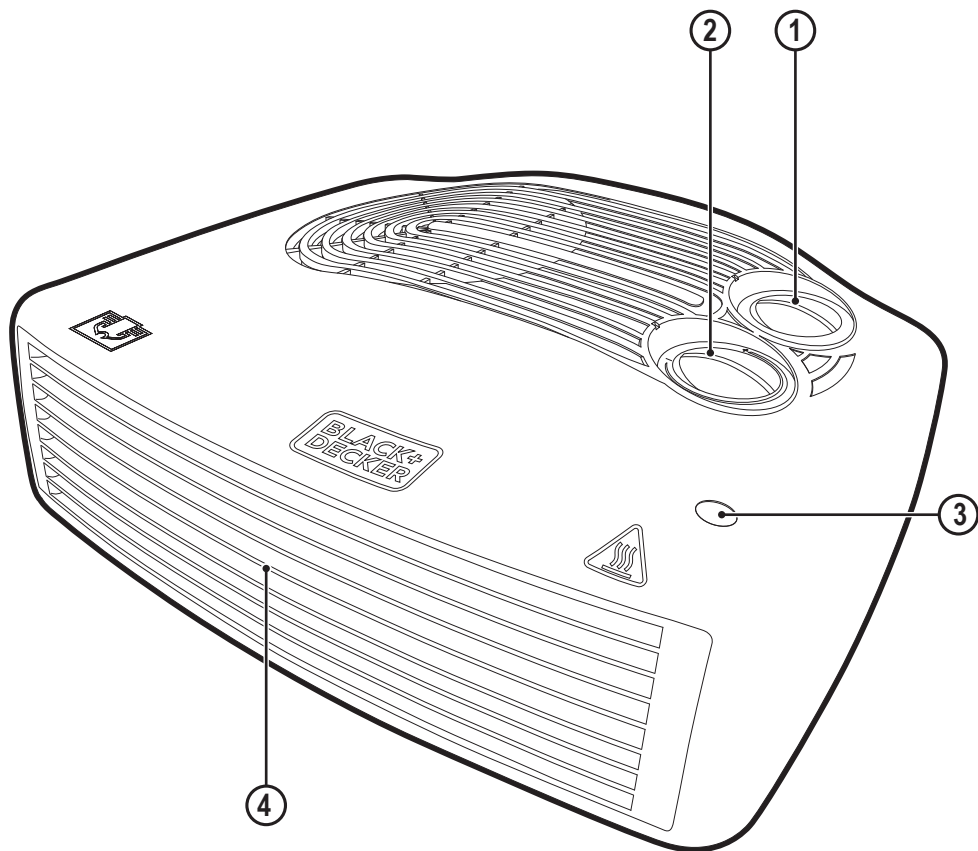
La garantie est valable sur tout le territoire des Etats Membres de l'Union Européenne et de la Zone de Libre Echange Européenne.

Si un produit Black+Decker s'avère défectueux en raison de matériaux en mauvaises conditions, d'une erreur humaine, ou d'un manque de conformité dans les 24 mois suivant la date d'achat, Black+Decker garantit le remplacement des pièces défectueuses, la réparation des produits usés ou cassés ou remplace ces produits à la convenance du client, sauf dans les circonstances suivantes :

- Le produit a été utilisé dans un but commercial, professionnel, ou a été loué.
- Le produit a été mal utilisé ou avec négligence.
- Le produit a subi des dommages à cause d'objets étrangers, de substances ou à cause d'accidents.
- Des réparations ont été tentées par des techniciens ne faisant pas partie du service technique de Black & Decker.

Pour avoir recours à la garantie, il est nécessaire de fournir une preuve d'achat au vendeur ou à un réparateur agréé. Pour connaître l'adresse du réparateur agréé le plus proche de chez vous, contactez le bureau Black+Decker à l'adresse indiquée dans ce manuel.

Vous pourrez aussi trouver une liste des réparateurs agréés de Black+Decker et de plus amples détails sur notre service après-vente sur le site Internet à l'adresse suivante : www.2helpU.com



Usó previsto

O seu aquecedor com ventilador HX230 da BLACK+DECKER foi concebido para aquecer salas.

Este produto está destinado apenas para a utilização pelo consumidor.

Obrigado por escolher a BLACK+DECKER. Esperamos que aprecie a utilização deste produto durante muitos anos.

Apenas para utilização doméstica no interior.

Este aparelho não deve ser utilizado em:

- Áreas de cozinha de empregados em lojas, escritórios e outros ambientes de trabalho;
- Casas Rurais;
- Por clientes em hotéis, motéis e outros ambientes de tipo residencial;
- Ambientes do tipo alojamento e pequeno-almoço ou outros ambientes não domésticos.

Instruções de segurança



Aviso! Leia todos os avisos de segurança e todas as instruções. A não observância dos avisos e instruções indicados abaixo podem resultar em choque elétrico, incêndio e/ou lesão grave.

- Leia este manual integralmente atentamente antes de utilizar o aparelho.
- O uso previsto está descrito neste manual. A utilização de qualquer acessório ou a realização de qualquer operação com este aparelho que não seja a recomendada neste manual de instruções pode representar um risco de lesão pessoal.

Aviso! Quando utilizar aparelhos elétricos, as advertências básicas de segurança, incluindo estas instruções, deverão ser sempre respeitadas para reduzir o risco de incêndio, choque elétrico e lesões pessoais e danos materiais.

- O uso previsto está descrito neste manual. A utilização de qualquer acessório ou a realização de qualquer operação com este aparelho que não seja a recomendada neste manual de instruções pode representar um risco de lesão pessoal.
- Guarde este manual para consulta futura.

Utilização do aparelho

- Tenha sempre cuidado enquanto estiver a utilizar o aparelho.
- Nunca puxe o cabo de alimentação para desligar a ficha da tomada.
- Mantenha o cabo de alimentação longe do calor, óleo e objetos cortantes.
- Não coloque o aparelho perto de fontes de calor ou no interior de um forno aquecido.
- Não utilize o aparelho no exterior.
- Proteja sempre a unidade do motor de água ou

humidade excessiva.

- Se o cabo de alimentação for danificado durante a utilização, desligue o aparelho da rede elétrica imediatamente. Não toque no cabo de alimentação antes de desligá-lo da rede elétrica.
- Desligue o aparelho da rede elétrica quando não estiver em uso, antes de montar ou remover peças e antes da limpeza.
- Nunca deixe o aparelho a funcionar sem supervisão.
- Não deixe o cabo ficar pendurado na beira de uma mesa ou da bancada ou tocar em superfícies quentes.
- Desenrole totalmente o cabo de alimentação de modo a que não possa ficar preso acidentalmente nem provocar quedas.
- O aquecedor não deve ser colocado imediatamente abaixo de uma tomada.
- Para evitar sobrecargas e fusíveis queimados, não ligar outro aparelho à mesma tomada (recetáculo)
- Não colocar o aquecedor sobre tapetes, nem colocar o cabo por baixo de tapetes. Arrumar o cabo fora de zonas de caminho, para evitar quedas.
- NUNCA utilize o aquecedor em locais onde possa entrar em contacto com água, isto é casas de banho, cozinhas, etc. Não utilize o aquecedor junto a uma banheira, chuveiro ou piscina.

Aviso! Para evitar sobreaquecimento, não tape o aquecedor. NUNCA utilizar o aquecedor para secar roupa ou artigos semelhantes.

- Não toque nas superfícies quentes.
- Não coloque os aparelhos perto de cortinas ou outros materiais inflamáveis. Mantenha materiais combustíveis como móveis, almofadas, lençóis, papel, roupas, cortinas, etc. a uma distância mínima de 1,0 m do aquecedor.
- Assegure-se sempre de que tem as mãos secas antes de operar ou ajustar qualquer interruptor no produto ou de tocar na ficha e ligações elétricas.
- Não utilizar este aquecedor com um programador, temporizador nem sistema autónomo de controlo remoto nem qualquer outro dispositivo que ligue o aquecedor automaticamente, uma vez que há um risco de incêndio se o mesmo estiver tapado ou numa posição incorreta.
- Para evitar incêndios, não tapar as admissões de ar nem os exaustores de qualquer forma. Não utilizar em superfícies suaves, como uma cama, onde as aberturas possam ficar bloqueadas.
- Não guarde sem que tenha arrefecido; guardar em local fresco e seco quando não estiver em utilização.
- Não utilizar extensões elétricas.
- Operar sempre numa superfície plana.
- Não inserir nem permitir que sejam inseridos objetos estranhos nas aberturas de ventilação ou exaustão, dado que pode provocar choques elétricos, incêndio ou danos ao aparelho.

- Não operar em zonas onde estejam a ser utilizados ou onde sejam guardados gasolina, tinta ou outros líquidos inflamáveis.
- A causa mais comum de sobreaquecimento é o depósito de poeira e algodão no aparelho. Assegure-se de que estes depósitos são eliminados regularmente, desligando o aparelho e aspirando as grelhas e ventilações.
- Utilizar sempre o aquecedor na vertical.
- Não utilizar o aparelho em sala com menos de 4 m².
- Para desligar o aparelho, desligue-os e retire a ficha da tomada. Não puxe pelo cabo, dado que pode danificar o aparelho.
- Durante o funcionamento do aparelho e até algum tempo depois, a temperatura das superfícies acessíveis pode ser elevada.

Aviso! Este aquecedor não está equipado com um dispositivo de controlo de temperatura ambiente. Não utilizar o aquecedor em salas pequenas ocupadas por pessoas que não tenham capacidade para sair da sala pelos seus próprios meios, exceto se estiverem sob supervisão contínua.

- Deixe também espaço suficiente à volta do aquecedor para ventilação

Segurança de terceiros

- Este aparelho não pode ser utilizado por pessoas (incluindo crianças) com capacidades físicas, sensoriais ou psíquicas diminuídas ou com falta de experiência e conhecimentos, a não ser que se encontrem sob vigilância ou a utilização segura do aparelho lhes tenha sido ensinada por uma pessoa responsável pela sua segurança.
- As crianças devem ser vigiadas para garantir que não brincam com o aparelho.
- Não permita que crianças ou pessoas que não tenham lido estas instruções utilizem o aparelho.
- Não permita que crianças ou animais se aproximem da área de trabalho ou toquem o aparelho ou o cabo de alimentação.
- É necessário supervisionar de perto quando o aparelho for utilizado perto de crianças.
- Crianças com menos de 3 anos de idade devem ser mantidas afastadas, a menos que estejam continuamente supervisionadas.
- As crianças com mais de 3 anos e menos de 8 só devem ligar ou desligar o aparelho se este tiver sido instalado na sua posição normal de funcionamento e se tiverem supervisão ou se tiverem sido instruídas sobre o funcionamento do aparelho de forma segura e se compreenderem os perigos envolvidos
- As crianças com mais de 3 anos e menos de 8 não

devem desligar da tomada, regular nem limpar o aquecedor nem realizar qualquer outra manutenção

Cuidado! Algumas peças deste produto podem ficar muito quentes e provocar queimaduras. Deve ser tida especial atenção sempre que estiverem presentes crianças e pessoas vulneráveis.

Após a utilização

- Desligue e retire a ficha da tomada antes de deixar o aparelho sem vigilância e antes de substituir, limpar ou inspecionar quaisquer peças do aparelho.
- Quando não estiver em uso, o aparelho deve ser armazenado em local seco. As crianças não devem ter acesso a eletrodomésticos guardados.

Inspeção e reparações

- Desligue o aparelho antes da limpeza, troca de acessórios ou de aproximar-se de peças que estiverem em movimento.
- Antes de utilizar, verifique se o aparelho apresenta quaisquer danos ou peças defeituosas. Verifique se tem as peças quebradas, danos nas ligações e quaisquer outras condições que possam afetar a operação.
- Não utilize o aparelho se encontrar qualquer peça danificada ou defeituosa.
- Quaisquer peças danificadas ou defeituosas devem ser reparadas ou substituídas por um técnico autorizado.
- Antes da utilização, verifique se o cabo de alimentação apresenta sinais de danos, envelhecimento ou desgaste.
- Não utilize o aparelho se o cabo de alimentação ou a ficha principal apresentar danos ou defeitos.
- Se o cabo de alimentação ou a ficha principal apresentar danos ou defeitos, deverá ser reparado por um agente autorizado para evitar eventuais riscos. Não corte o cabo de alimentação nem tente repará-lo diretamente.
- Nunca tente remover ou substituir quaisquer peças que não estejam especificadas no manual.

Segurança elétrica

Antes de utilizar, verifique sempre se a tensão elétrica corresponde à tensão que figura na chapa de características.



Este aparelho tem isolamento duplo, portanto, não é necessário um fio de terra.

- Para evitar riscos de choque elétrico, não mergulhe o cabo, ficha ou unidade do motor em água ou outro líquido.
- Verifique se a tensão de alimentação, indicada na placa de classificação do aparelho, condiz com a do seu sistema elétrico. Qualquer erro de ligação invalidará a garantia.

Etiquetas no aparelho

Os seguintes pictogramas juntamente com o código da data são apresentados no aparelho:



Aviso! Superfície quente.



Aviso! Para evitar sobreaquecimento, não tape o aquecedor.

Funcionalidades

1. Interruptor de definição de modo
2. Interruptor de controlo do termostato
3. Indicador
4. Grelha de saída


Utilização

O aparelho possui um termostato para sua segurança. A utilização contínua do aparelho durante períodos muito longos de tempo pode provocar o sobreaquecimento do aparelho e avariá-lo. Por conseguinte, recomenda-se que desligue o aparelho da tomada elétrica e o deixe arrefecer antes de voltar a utilizar.

- Coloque o aparelho sobre uma superfície plana e estável.
- Ligue à alimentação elétrica.
- Selecione o modo de funcionamento.
- Ajuste o termostato para a configuração necessária.

Definição de modo

O aquecedor incorpora um interruptor rotativo que pode selecionar diferentes opções ao ser rodado no sentido dos ponteiros do relógio:

- | | |
|--|-------------------|
| 0 | Off (desligado) |
|  | Apenas ventilação |
| I | Ar quente |
| II | Ar quente |

Termóstato

Quando o modo de aquecimento está selecionado

- Rodar o botão do termostato no sentido dos ponteiros do relógio para a posição máx.
- Quando a sala atinge a temperatura desejada, rode lentamente o botão do termostato no sentido contrário ao dos ponteiros do relógio até ouvir um "clique". Esta é a temperatura definida. Agora, o termostato está desligado.
- O termostato irá manter automaticamente a temperatura definida. Irá ligar-se quando a temperatura estiver

abaixo e desligar-se quando estiver acima da definição.

- O sinal luminoso indica que o modo de aquecimento está ligado.

Limpeza e manutenção e armazenagem

Aviso! Antes da limpeza e manutenção, desligue a alimentação do aparelho e retire a ficha da tomada.

Aviso! Não mergulhe o aparelho ou o conjunto do cabo ou a ficha em água ou qualquer outro líquido.

- O aparelho será mais fácil de limpar se o fizer imediatamente após a utilização.
- Não utilize agentes de limpeza abrasivos, esfregões, acetona, álcool, etc., para limpar o aparelho.
- Limpe a unidade do motor com um pano húmido. Nunca mergulhe a unidade do motor em água nem a enxague sob a torneira.

Substituição da ficha principal

Se uma ficha principal necessita de ser substituída:

- Elimine de forma segura a ficha antiga.
- Ligue o fio castanho ao terminal positivo da nova ficha.
- Una o fio azul ao terminal neutro.
- Se o produto for da classe I (com terra), uma o fio verde/amarelo ao terminal de terra.

Aviso! Se o seu aparelho for da classe II com isolamento duplo (apenas 2 fios no conjunto de cabos), não se faz a ligação à terra.

Siga as instruções de montagem fornecidas usando fichas de boa qualidade.

Qualquer fusível de substituição deve ser da mesma classificação que o fusível original fornecido com o produto.

Proteção do ambiente



Recolha separada. Este produto não deve ser eliminado com o lixo doméstico.

Se considerar que o seu produto da Black+Decker necessita ser substituído ou se já não lhe for útil, não o elimine com outros lixos domésticos. Leve-o para ser reciclado.

- A Black+Decker proporciona um local para reciclar produtos Black+Decker quando atingirem o final da sua vida útil. Este serviço é gratuito. Para aproveitar este serviço, devolva o produto a qualquer agente de reparação autorizado que o reciclará por nós.
- Informe-se sobre a localização do agente de reparação autorizado mais próximo a si entrando em contacto com uma filial da Black+Decker na morada indicada neste manual. De forma alternativa, uma lista de agentes de reparação autorizados da Black+Decker e os pormenores completos do nosso serviço de atendimento pós-venda estão disponíveis na Internet em: www.2helpU.com.

Dados técnicos

		HX230
Tensão	V _{CA}	230 -240
Dimensões do produto	Cm	24,4 x 30,5 x 12
Peso líquido	Kg	Aprox. 1,4

Garantia

A Black+Decker acredita na qualidade dos seus produtos e oferece uma garantia excelente.

Esta declaração de garantia é um complemento aos seus direitos estatutários e não os compromete em caso algum.

A garantia é válida nos territórios dos Estados Membros da União Europeia e na Associação Europeia de Comércio Livre.

Se um produto Black+Decker se avariar devido a materiais com defeito, problemas de fabrico ou faltas de conformidade no período de 24 meses a partir da data de compra, a Black+Decker garante a substituição das peças avariadas, a reparação de produtos sujeitos a desgaste normal ou a substituição de tais produtos, no sentido de de minimizar o inconveniente causado ao cliente, salvo se:

- O produto for utilizado para fins comerciais, profissionais ou de aluguer;
- O produto for sujeito a má utilização ou negligência;
- O produto tiver sido danificado por objetos, substâncias ou acidentes estranhos;
- Forem tentadas reparações por pessoas que não os agentes reparadores autorizados ou o pessoal da assistência técnica da Black+Decker .

Para reclamar a garantia, terá de apresentar o comprovativo da compra ao vendedor ou agente reparador autorizado. Pode verificar a localização do agente reparador mais próximo, contactando os escritórios locais Black+Decker através do endereço indicado neste manual.

Como alternativa, está disponível na Internet uma lista de agentes reparadores Black+Decker, dados completos do serviço de pós-venda e contactos em: www.2helpU.com.

الثرموستات

عند تحديد وضع التسخين

- أدر بكرة الثرموستات في اتجاه عقارب الساعة لأقصى وضع متاح.
- وبمجرد وصول الغرفة إلى درجة الحرارة المطلوبة، أدر بكرة الثرموستات ببطء في عكس اتجاه عقارب الساعة حتى سماع صوت "طقطقة". وهذه هي درجة الحرارة المطلوب الوصول إليها. والآن، تم إيقاف تشغيل الثرموستات.
- ستحتفظ الثرموستات تلقائيًا بدرجة الحرارة المطلوب الوصول إليها. وسيتم تشغيل المدفأة على درجة الحرارة هذه عندما تكون درجة حرارة الغرفة أقل، وسيتوقف تشغيلها عندما تكون درجة الحرارة أعلى من درجة الحرارة المضبوطة.
- يوضح مصباح المؤشر أن وضع التدفئة في وضع التشغيل.

التنظيف والصيانة والتخزين

تحذير! قبل التنظيف والصيانة، قم بإيقاف تشغيل الجهاز وإزالة القابس من المقبس.

تحذير! لا تغمر الجهاز أو مجموعة السلك المعزول أو القابس في الماء أو أي سائل آخر.

- سيكون من الأسهل تنظيف الجهاز في حالة قيامك بذلك بعد الاستخدام مباشرة.
- لا تستخدم مواد تنظيف كاشطة أو بوردرة تعقيم أو أستون أو كحول أو غيرها من المواد لدى تنظيف الجهاز.
- نظف وحدة المحرك بقطعة قماش مبللة. لا تغمر وحدة محرك الدوران في الماء ولا تشطفها تحت صنوبر الماء.

استبدال قابس المأخذ الرئيسي

في حالة الحاجة إلى تركيب قابس جديد للمصدر الكهربائي الرئيسي:

- تخلص من المقبس القديم بحرص.
- قم بتوصيل السلك البني اللطيف الحي في القابس الجديد.
- صل سلك التوصيل البني اللون بالطرف الموصل بالتيار من القابس الجديد.
- إذا كان المنتج من الفئة ١ (مَوْرَّضًا)، فصل السلك الأخضر/الأصفر بالطرف الأرضي.

تحذير! إذا كان الجهاز من الدرجة الثانية مؤدًا بطبقتين عازلتين (لا يوجد داخل الكابل إلا طرفان اثنتان فقط)، فلا يتم توصيل أي منهما بالطرف الأرضي.

اتبع تعليمات التركيب المرفقة مع القوابس عالية الجودة يجب أن يكون لأي مصهر مستبدل نفس مقنن المصهر الأصلي المرفق مع المنتج.

حماية البيئة

الجمع المنفصل. يلزم عدم التخلص من هذا المنتج مع القمامة المنزلية العادية.



إذا لزم في يوم من الأيام استبدال منتج بلاك أند ديكر الخاص بك، أو إذا لم تعد تستخدمه، فلا تتخلص منه مع القمامة المنزلية الأخرى، بل تأكد من إتاحة هذا المنتج للجمع المنفصل.

توفر شركة بلاك أند ديكر مرفق لإعادة تدوير منتجات بلاك أند ديكر بمجرد وصولها إلى نهاية عمرها وعدم صلاحيتها للعمل.

ويتم تقديم هذه الخدمة مجانًا. للاستفادة من هذه الخدمة، يرجى إعادة المنتج إلى أي وكيل صيانة معتمد والذي سوف يتولى بدوره جمع المنتجات نيابة عنا.

يمكنك التعرف على موقع أقرب وكيل صيانة معتمد من خلال الاتصال على مكتب بلاك أند ديكر المحلي في العنوان الموضح في هذا الدليل. وبدلاً من ذلك، توجد قائمة بوكلاء الصيانة المعتمدين التابعين لشركة بلاك أند ديكر والتفاصيل الكاملة لخدمات ما بعد البيع ووسائل الاتصال الخاصة بنا على الإنترنت على الموقع الإلكتروني: www.2helpU.com.

البيانات الفنية

HX230		
٢٤٠-٢٣٠	فولت من التيار المتردد	الجهد الكهربائي
١٢ X ٣٠,٥ X ٢٤,٤	سم	أبعاد المنتج
١,٤ تقريبًا	كجم	الوزن الصافي

الضمان

تتفق بلاك أند ديكر في جودة منتجاتها وتعرض ضمانًا طويل الأجل.

بيان الضمان هذا يكون بالإضافة إلى حقوقك التي يمنحها القانون ولا يدخل بها بأي حال من الأحوال.

يسري الضمان في أقاليم الدول الأعضاء في الاتحاد الأوروبي ومنطقة التجارة الحرة الأوروبية.

في حالة وجود خلل في منتج بلاك أند ديكر بسبب عيب في المواد أو الصناعة أو عدم التوافق مع المعايير، خلال ٢٤ شهرًا من تاريخ الشراء، تضمن بلاك أند ديكر استبدال الأجزاء المعيبة وإصلاح المنتجات مع مراعاة التآكل والبلى الطبيعي أو استبدال هذه المنتجات لضمان أقل إزعاج للعميل ما لم:

- ◀ يتم استخدام المنتج في أغراض تجارية أو مهنية أو أغراض تأجير؛
- ◀ يتعرض المنتج لسوء الاستخدام أو الإهمال؛
- ◀ يتعرض المنتج للتلف نتيجة أشياء أو مواد غريبة أو حوادث؛
- ◀ يتم محاولة إصلاح المنتج بواسطة أشخاص غير وكلاء الصيانة المعتمدين أو فريق الصيانة التابع لشركة بلاك أند ديكر.

لتقديم مطالبة بموجب الضمان، سوف تحتاج إلى تقديم دليل الشراء للبائع أو وكيل الصيانة المعتمد. ويمكنك التعرف على موقع أقرب وكيل صيانة معتمد من خلال الاتصال على مكتب بلاك أند ديكر المحلي في العنوان الموضح في هذا الدليل.

وبدلاً من ذلك، توجد قائمة بوكلاء الصيانة المعتمدين التابعين لشركة بلاك أند ديكر والتفاصيل الكاملة لخدمات ما بعد البيع ووسائل الاتصال الخاصة بنا على الإنترنت على الموقع الإلكتروني: www.2helpU.com

السلامة من مخاطر الكهرباء

ينبغي قبل الاستخدام التأكد من توافق جهد مصدر التيار الكهربائي مع الجهد الموضح على لوحة التقنين.

هذا الجهاز معزول عزلًا مزدوجًا، ولذلك لا حاجة إلى توصيل سلك أرضي.



- لتجنب خطر التعرض لصدمة كهربائية، لا تغمر السلك أو القابس أو الجهاز في الماء أو أي سائل آخر.
- ينبغي التأكد من توافق جهد التيار الكهربائي الموضح على لوحة التصنيف للجهاز مع النظام الكهربائي المستخدم لديك. أي خطأ في التوصيل يلغي الضمان.

الملصقات الموجودة على الجهاز

الصور المصغرة التالية مع كود التاريخ موجودان على الأداة:

تحذير! السطح الساخن.



تحذير! لتفادي ارتفاع درجة الحرارة، لا تقم بتغطية المدفأة.



الخصائص

١. مفتاح ضبط الوضع
٢. بكرة الترموستات
٣. المؤشر
٤. شبكة المرحج

الاستخدام

- تم تزويد الجهاز الخاص بك بترموستات للحفاظ على سلامتك. قد يتسبب استخدام الجهاز باستمرار لفترة طويلة للغاية في زيادة درجة حرارة الجهاز وتوقفه عن العمل. وبالتالي يُنصح بفصل الجهاز عن مصدر التيار الكهربائي وتركه ليبرد تمامًا قبل معاودة استخدامه.
- ضع الجهاز على سطح مستو ومستقر.
- قم بتوصيل الجهاز بالتيار الكهربائي.
- حدد وضع التشغيل.
- اضبط الترموستات على الإعداد المطلوب.

ضبط الوضع

تتضمن المدفأة المزودة بمروحة لتوزيع الهواء مفتاحًا قابلًا للتدوير حيث يمكنك تحديد مستوى مختلف من الهواء من خلال تدوير المفتاح اتجاه عقارب الساعة:

إيقاف التشغيل



مروحة فقط

I هواء دافئ

II هواء ساخن

سلامة الآخرين

- هذا الجهاز غير مصمم ليستخدمه الأشخاص ذوو القدرات الجسدية والذهنية والحسية والعقلية المتدنية والخبرة والمعرفة القليلتين (بما في ذلك الأطفال) إلا في ظل الإشراف عليهم أو إعطائهم التعليمات المتعلقة باستخدام الجهاز من قبل الشخص المسؤول عن سلامتهم.
- يلزم مراقبة الأطفال لضمان عدم عبثهم بالجهاز.
- يجب عدم السماح للأطفال أو أي شخص غير مطلع على هذه الإرشادات باستخدام الجهاز.
- لا تسمح للأطفال أو الحيوانات بالاقتراب من مكان الجهاز ولمسه أو لمس السلك الخاص به.
- يجب الانتباه عند تشغيل الجهاز في مكان قريب من الأطفال.
- يجب إبقاء الأطفال ممن هم بعمر أقل من ٣ سنوات بعيدًا عن الجهاز ما لم يتم الإشراف عليهم باستمرار.
- بالنسبة للأطفال الذين تتراوح أعمارهم بين ٣ سنوات و٨ سنوات، يجب عليهم فقط تشغيل/إيقاف تشغيل الجهاز بشرط وضعه أو تثبيته في مكان التشغيل العادي المخصص له، وأن يخضعوا للإشراف أو أن يتم تزويدهم بالمعلومات المتعلقة باستخدام الجهاز بطريقة آمنة وأن يكونوا على علم بالمخاطر التي ينطوي عليها.
- يجب على الأطفال الذين تتراوح أعمارهم بين ٣ سنوات و٨ سنوات عدم توصيل الجهاز بالكهرباء، أو ضبطه، أو تنظيفه، أو إجراء أي صيانة له.
- تحذير! قد تتعرض بعض أجزاء هذا الجهاز للسخونة، وقد تتسبب في الإصابة بحروق. يجب إيلاء اهتمامًا خاصًا في المكان الذي يتواجد به أطفال أو أشخاص ضعفاء.

بعد الاستخدام

- أطفئ الجهاز وانزع القابس من فتحة الكهرباء قبل ترك الجهاز وقيل تنظيف الجهاز أو فحص أي جزء من أجزائه.
- في حالة عدم استخدام الجهاز، يجب تخزينه في مكان جاف. يجب حفظ جميع الأجهزة بعيدًا عن متناول الأطفال.

الفحص والإصلاح

- قم بإيقاف تشغيل الجهاز قبل التنظيف أو تغيير الملحقات أو الاقتراب من الأجزاء التي تتحرك أثناء الاستخدام.
- قبل الاستخدام، يجب فحص الجهاز للتحقق من عدم وجود أجزاء تالفة أو ممية. تأكد أيضًا من عدم وجود كسور في الأجزاء، أو وجود تلف في الأزرار أو أي عيب قد يؤثر على تشغيل الجهاز. لا تستخدم الجهاز إذا وجد فيه أي عيب أو تلف.
- يجب أن تقوم جهة مرخصة بإصلاح الأجزاء المكسورة أو التالفة.
- قبل الاستخدام، تحقق من عدم وجود أجزاء تالفة أو بالية في السلك.
- لا تستخدم الجهاز في حالة تلف سلك الكهرباء أو القابس الرئيسي أو وجود عيب بأي منهما.
- في حالة تلف سلك الكهرباء أو القابس الرئيسي، يجب استبدالها بمعرفة وكيل صيانة معتمد لتجنب المخاطر. لا تقطع سلك الكهرباء ولا تحاول إصلاحه بنفسك.
- لا تحاول مطلقًا إزالة أو استبدال أية أجزاء غير تلك المشار إليها في هذا الدليل.

الاستخدام المقصود

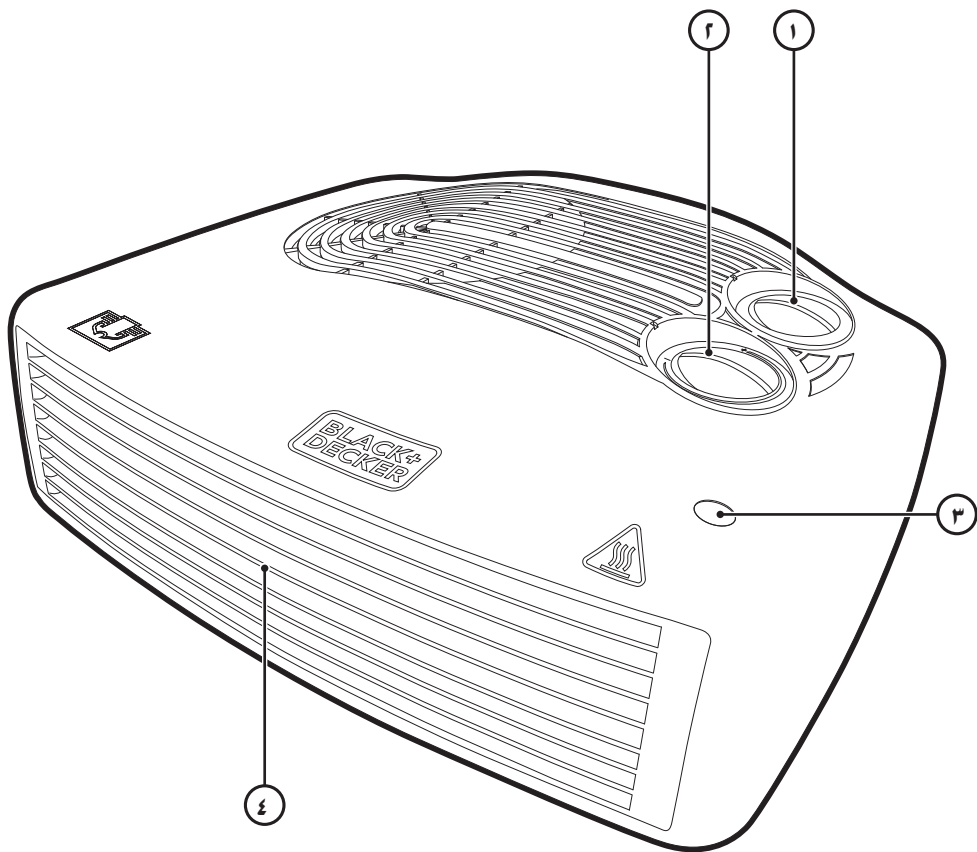
- تم تصميم مدفأة BLACK+DECKER HX230 المزودة بمروحة لتوزيع الهواء لتدفئة الغرفة.
- هذا المنتج مُعدّ لاستخدام العملاء فقط.
- شكرًا لاختيارك منتج BLACK+DECKER، ونتمنى لك أن تستمتع باستخدام هذا المنتج لسنوات عدة.
- مخصص للاستعمال المنزلي الداخلي فقط.
- لا يُستخدم هذا الجهاز في:
- مناطق مطابخ العمال في المتاجر والمكاتب وأوساط العمل الأخرى،
- منازل الفلاحين؛
- من قبل العملاء في الفنادق والفنادق الصغيرة وأماكن الإقامة الأخرى،
- أماكن النوم والإفطار، أو أي أماكن غير منزلية أخرى.

تعليمات السلامة



- تحذيرًا: احرص على قراءة كل تحذيرات السلامة والتعليمات ذات الصلة. أي قصور في اتباع التحذيرات وتعليمات السلامة الموضحة أدناه يمكن أن تتسبب في التعرض لصدمة كهربائية ونشوب حريق و/أو وقوع إصابات بالغة.
- اقرأ هذا الدليل بالكامل بعناية قبل تشغيل الجهاز.
- يوضح هذا الدليل الاستخدام الذي تم تصميم الجهاز من أجله. استخدام أي قطع كيميائية أو ملحق غير الموجودة مع الجهاز أو استخدام الجهاز في غرض غير المنصوص عليه في هذا الدليل قد يشكل خطرًا أو يؤدي إلى حدوث إصابة.
- تحذيرًا: عند استخدام الأجهزة الكهربائية، يتعين دائمًا مراعاة احتياطات السلامة الأساسية بما في ذلك ما يلي؛ وذلك للحد من احتمالات نشوب حريق أو التعرض لصدمة كهربائية أو إصابة شخصية أو تلف في المواد.
- يوضح هذا الدليل الاستخدام الذي تم تصميم الجهاز من أجله. استخدام أي قطع كيميائية أو ملحق غير الموجودة مع الجهاز أو استخدام الجهاز في غرض غير المنصوص عليه في هذا الدليل قد يشكل خطرًا أو يؤدي إلى حدوث إصابة.
- احتفظ بهذا الدليل للرجوع إليه عند الحاجة.
- استخدام الجهاز
- كن حذرًا عند استخدام الجهاز.
- لا تحاول مطلقًا شد سلك الكهرباء لفصل القابس عن المقبس.
- وحرص على وضع سلك الكهرباء بعيدًا عن الحرارة والزيوت والحواف الحادة.
- تجنب وضع الجهاز فوق مصادر الحرارة أو بالقرب منها أو في قرن ساخن.
- لا تستخدم الجهاز في الهواء الطلق.
- احرص دائمًا على حماية المحرك من المياه أو الرطوبة الزائدة
- إذا حدث تلف لسلك الكهرباء أثناء الاستخدام، فافصل الجهاز عن مصدر الكهرباء على الفور. لا تلمس سلك الكهرباء قبل فصله عن مصدر الكهرباء.
- افصل الجهاز عن مصدر الكهرباء في حالة عدم استخدامه وقبل تركيب الأجزاء أو استبدالها وقبل التنظيف.
- لا تشغل المدفأة دون مراقبة.

- لا تدع السلك يتدلى فوق حافة المنضدة أو يلامس أسطحًا ساخنة.
- قم بحل سلك الكهرباء تمامًا وتوجيهه بدقة، بحيث لا يتسبب في سقوطك عن طريق الخطأ أو عرقلتك.
- يجب عدم وضع المدفأة أسفل مكان المقبس مباشرة.
- لتفادي زيادة التحميل على المقبس وانصهار المصاهر، لا تقم بتوصيل أجهزة أخرى في نفس مأخذ التيار (المقبس)
- لا تضع المدفأة على السجاء، ولا تضع الكابيل أسفل السجاء. ضع السلك بعيدًا عن المناطق المزدحمة بحيث لا يتسبب في تعثرك.
- لا تستخدم المدفأة مطلقًا في مكان قد تلامس فيه المياه، مثل الحمام، أو غرفة الاستحمام، أو المطبخ. لا تستخدم المدفأة في الأماكن المحيطة بالحمام، أو غرفة الاستحمام، أو حمام السباحة.
- تحذيرًا: لتفادي ارتفاع درجة الحرارة، لا تقم بتغطية المدفأة. لا تستخدم المدفأة مطلقًا لتجفيف الملابس أو لأغراض مشابهة.
- لا تلامس الأسطح الساخنة.
- لا تضع الأجهزة بالقرب من الستائر أو غيرها من المواد القابلة للاشتعال. ضع المدفأة بعيدًا عن المواد القابلة للاشتعال، مثل الأثاث والوسائد وأغطية أسرة والورق والملابس والستائر وما غير ذلك، بمسافة لا تقل عن ١٠٠ مترًا.
- تأكد دائمًا من جفاف يدك قبل تشغيل أو ضبط مفاتيح المنتج، أو قبل ملامسة القابس ووصلات الإمداد الرئيسية.
- لا تستخدم هذه المدفأة مع مبرمج، مؤقت، أو نظام للتحكم عن بعد أو أي جهاز آخر يسغل المدفأة تلقائيًا. بسبب وجود خطر نشوب حريق إذا تمت تغطية المدفأة أو لم تكن موضوعة بشكل غير صحيح.
- لتفادي احتمالية نشوب حريق، لا تحبب كميات الهواء الداخلة أو الخارجة من العادم بأي طريقة. لا تستخدم أسطحًا ناعمة، كالسريز، حيث يمكن أن يعمل ذلك على سد الفتحات.
- لا تقم بتخزين المدفأة حتى تبرد، وطمس بتخزينها في مكان بارد وجاف في حالة عدم استخدامها.
- تجنب استخدام كبل امتداد.
- قم بتشغيل المدفأة دائمًا على الأسطح الأفقية المسطحة
- تجنب إدخال أو السماح بإدخال أي أجسام غريبة إلى فتحة التهوية أو العادم، فقد يتسبب ذلك في حدوث صدمة كهربائية، أو نشوب حريق، أو تلف الجهاز.
- لا تقم بتشغيل الجهاز في المناطق التي يتم استخدام أو تخزين الجازولين، أو مواد الطلاء، أو أي سائل أخرى قابلة للاشتعال بها.
- إن تكوين رواسب من الغبار أو الزغب في الجهاز يعد السبب الأكثر شيوعًا لزيادة درجة الحرارة، لذا تأكد من إزالة هذه الرواسب بانتظام من خلال فصل الجهاز وتنظيف فتحات وشبكات التهوية بالمكنسة الكهربائية.
- استخدم دائمًا المدفأة في وضعها المعتدل.
- لا تستخدم الجهاز في الغرف التي تقل مساحتها عن ٤ أمتار مربعة.
- لفصل الجهاز، قم بالضغط على الزر " إيقاف التشغيل"، ثم أزل القابس من المقبس. لا تسحب السلك، فقد يتسبب ذلك في تلفه.
- قد تكون درجة حرارة الأسطح الظاهرة في الجهاز عالية أثناء استخدامه وبعد إيقاف تشغيله لبعض الوقت.
- تحذيرًا: هذه المدفأة ليست مزودة بجهاز للتحكم في درجة حرارة الغرفة. لا تستخدم المدفأة في الغرف صغيرة المساحة عندما تكون هذه الغرف مشغولة بأشخاص ليس لديهم القدرة على الخروج من الغرفة بأنفسهم، إلا في حالة الإشراف عليهم باستمرار.
- يلزم دائمًا ترك مساحة كافية حول المدفأة للتهوية



Names & Addresses for Black & Decker Service Concessionaries

ALGERIA: Sarl Outillage Corporation, DW, B&D Pet, HHD, 08, Rue Med Boudiaf (ex TELLA Achen) Cheraga, Alger, Tel: 00213-0-21375130/ 00213-0-21375131, Fax: 00213-0-21369667, Email: hakim.merjdadi@outillage-dz.com; nefissa.merjdadi@outillage-dz.com; sidahmed.merjdadi@outillage-dz.com. **AZERBAIJAN:** Kontakt - NN LLC, HHD, M.Qashqay 43, Baku Azerbaijan Az1000, Tel: 00994 12 408 20 50, P.ob: +994503442204, Fax: 00994 12 411 70 90, egranjal@hotmail.com. **BAHRAIN:** Alfouz Services Co. WLL, Tubli, DW, B&D PET, HHD, P.O. Box 26562, Tubli, Manama, Tel: +973-17783562/ 17879987, Fax: 17783479, Email: alfouz@batelco.com.bh. **EGYPT:** Anasia Egypt for Trading S.A.E. (Mentrade), HHD, P.O. Box 2443, 9, Mostafa Refaat Street, Sheraton Heliopolis 11361, Cairo, Tel: 00202 22684159, Fax: 00202 22684169, Email: wael.salah@anasia.com; nevien.elbeshbishy@anasia.com. **ETHIOPIA:** Seif Tewfik Sherif, DW, B&D PET, HHD, Arada Sub City, Kebele 01/02, Global Insurance Bldg, 2nd Flr, Room 43, P.O. Box 2525, Addis Ababa, Tel: 00-251-11-1563968/ 1563969, Fax: 00-251-11-1558009, Email: seif@ethionet.et; nawanag@ethionet.et; seifudint@hotmail.com. **IRAQ:** Financial Links, B&D PET, HHD, Kazzaz Building Arasat Al-Hindia, Block No: 629, Street: 31, Building No: 1, Baghdad, Iraq, Tel: 00964-(0)780-195-2223/ +964-(0)781-3763044, Email: info@financiallinks-truevalue.com. **JORDAN:** Bashiti Hardware (Palestine), B&D pet, HHD, "93 King Abdullah, 2nd St., Opp ELBA House, P.O. Box 3005, Amman 11953, Tel: 00962-6-5349098, ext.11, Fax: 00962-6-530731, Email: manal@bashitihardware.com; info@bashitihardware.com; rami@bashitihardware.com. **KENYA:** Zylgo Enterprises Ltd. (T/A Leading Concepts), HHD, IPS Building, Kaunda Street, P.O. Box 40877-00100, Nairobi, Tel: 00254-20-6905000, Fax: 00254-20-6905111, Email: admin@alibhaishariff.co.ke; leading@alibhaishariff.co.ke; info@alibhaishariff.co.ke. **LEBANON:** Aces Service Centre (Est. F.A.Ketaneh Sa), HHD, P.O. Box 90-102, Nahr El Mot, Seaside Highway, Pharaon Building, Beirut, Tel: 00961-1-898989/ + 961(-1)-262626, Fax: 0096-1-1245880, Email: Nissrine.haj@aces.com.lb; Nassim.aziz@Aces.com.lb; Johnny.sailian@Aces.com.lb; Paul.tahan@aces.com.lb. **LIBYA:** North Africa Trading (El Ghoul Brothers), DW, B&D PET, HHD, P.O. Box 348, 7 October Street 11, Benghazi, Tel: 00218-061-3383994, Fax: 00218-092-7640688, Email: nagte.ly@gmail.com; CC: nagte.dpt@gmail.com; elghol@technpower.com. North Africa Trading (El Ghoul Brothers), DW, B&D PET, HHD, AlBarniq Dewalt Center, Mokhazin-elsukar St., ElFallah, Tripoli, Tel: 00218-021-3606430, Fax: 00218-092-6514813, Email: nagte.ly@gmail.com; cc: (nagte.dpt@gmail.com; elghol@technpower.com. Homeworld Co., HHD, Senidal St. Amr Ibn Elaas Road, Benghazi, Libya, P.O. Box 18182, Salmayn, Tel: 00218-61-9094183, ext. 103, Fax: 00218.61.9094123, ext. 108, Email: nagte.ly@gmail.com. **MAURITIUS:** J.M. Goupille & Co.Ltd. The Brandhouse Ltd., HHD, Rogers Industrial Park 1, Riche Terre, Mauritius, Tel: 00230-2069450/ +230-207-1700, Fax: 00230-2483188/ 00230-2069474, Email: claims@servicecentre@goupille.mu; stephanie.bijou@gmail.com; beatrice.li@gmail.com; sharon.laprovidence.jmg@gmail.com, tim.moszuati@goupille.mu, Cc: J.francois.dromart@goupille.mu; marie.catherine@goupille.mu; gerard.gouges@goupille.mu. **MOROCCO:** UATS, HHD, "No. 37, Lotissement KADIRIA, km 10 Route, Eljadida, LISASSFA, Casablanca, Morocco, Tel: 00212-522652602, Fax: 00212-522652603, Email: farah1406@yahoo.fr; noureddine.uats@gmail.com. **OMAN:** Oman Marketing & Service Co.(Omasco), Wattayah/ Muscat, HHD, B&D PET, P.O. Box 2734, Behind Honda Showroom, Wattayah, Oman, Tel: +968 24560232/ 24560255, Fax: 245600993, Email: npservice@omasco.com.om; Cc. ashok.balan@omasco.com.om, damodaran.pillai@omasco.com.om; unnikrishnan@omasco.com.om. Oman Marketing & Service Co.(Omasco), Sohar, HHD, B&D PET, Al Ohi, Sohar, Oman, Tel: +968 26846379, Fax: 26846379, Email: sooraj.neeran@omasco.com.om. Oman Marketing & Service Co.(Omasco), Salalah, HHD, B&D PET, Sanaya, Salalah, Oman, Tel: +968 23212290, Fax: 23210936, Email: rajagopal.pr@omasco.com.om. Omar Mohammed Ali Bawain Trading Co., Salalah, Al-Awqadain, PC 217, P.O.Box 112, Salalah, Sultanate of Oman, Tel: +968 23214874, Fax: 23214874/ 23211878, Email: jitihn@omartrad.com. **PAKISTAN:** Ammar Service & Spares, B&D PET, HHD, Office No 6068, 6th Floor Central Plaza, Behind Gul Plaza Marston Road, Karachi, Tel: 0092-21-32426905/ 021-32775252, Fax: 0092-21-32427214, Email: babji93@yahoo.com. **QATAR:** Al Mufthah Service Centre, Doha, HHD, B&D PET, Al Wakrah, Road, P.O. Box 875, Doha, Qatar, Tel: +974 44650880/ 44650110/ 44446868, Fax: 44444115/ 44662599, Email: service@almufthah.com; almufthah@almufthah.com. **SAUDI ARABIA:** Fawaz Ebrahim Al Zayani Trading Est., Dammam, DW, B&D PET, HHD, P.O. Box 76026, Al Raka: 31952, Tel: +966-3-8140914, Fax: 8140824, Email: dewaltdammam@hotmail.com; (vinoderakatyil@yahoo.com); Website: www.fawazalzeyanigroup.com. Fawaz Ebrahim Al Zayani Trading Est., Makkah, DW, B&D PET, HHD, 4753-Vial Alahad, Makkah, 9130-24353 Tel: +966-12-8140914/ 581121778, Fax: 128140914, Email: meraj2515@gmail.com. Banaja Trading Co. Ltd., Riyadh, HHD, P.O. Box 566, Riyadh-11421, Tel: +966-1-4124444, Fax: 4033378, Email: jijophilip@hotmail.com. Banaja Trading Co. Ltd, Jeddah, HHD P.O. Box 366, Jeddah-21411, Tel: +966-2-6511111, Fax: 6503668, Email: afouad@banaja.com; jijophilip@hotmail.com. **SOUTH AFRICA:** Benray Tool Wholesalers C.C., B&D PET, HHD, 460 Koeborg Road, Cape Town, South Africa, Tel: 021-551-7244, Fax: 021-552-6395, Email: dewalttc@benray.co.za. Stanley Black & Decker-RSA, BED, PET, HHD, 199 Winz Drive Stormill Ext 9 Roodepoort Tel: (2711) 472-0454, Fax: (2711) 472-0482, Email: service@sbdinc.co.za; vincent.roets@sbdinc.co.za; jacquesvincent.roets@sbdinc.com. **SRI LANKA:** Delmege Forsyth & Co. Ltd, DW, B&D Pet, HHD, Delmege Forsyth & Co. Ltd, Lifestyle Cluster, 101, Vinayalankara Mawatha, Colombo 10, Sri Lanka, Tel: +94-11-2688462/ +94-11-2, Email: dgeservice@delmege.com; Samith.lifestyle@delmege.com; Jayantha.lifestyle@delmege.com. **TUNISIA:** Societe Tunisienne De Maintenance (STM), B&D PET, HHD, Rue De La Physique. Nouvelle Zone Industrielle Ben Arous.2013 Ben Arous, TUNISIA. Tel: +216-79-389687, Fax: +216-71-385154, Email: importa@stqu.com. **UAE: (Abu Dhabi)** Galaxy Equipment Trading, Abu Dhabi, DW, B&D PET, HHD, Madinat Zayed (Baada Zaid), Abu Dhabi P.C. 58910, Tel: +971-2-8844279, Fax: 8844297, Email: galaxyeq@eim.ae; galaxyeq@emirates.net.ae. Light House Electrical, Abu Dhabi, DW, B&D PET, HHD, P.O. Box 120, Abu Dhabi, Tel: +971-2-6726131, Fax: 6720667, Email: dewalt_lhe@hotmail.com. Light House Electrical, Musaffah, DW, B&D PET, HHD, P.O. Box 120, Abu Dhabi, Tel: +971-2-5548315, Fax: 5540461, Email: dewalt_lhe@hotmail.com. **(Al Ain)** Zillion Equipment and Spare Parts Trading LLC, Al Ain, DW, B&D PET, HHD, P.O. Box 19740, Opp. Bin Sadal/ Trimix Redymix Sanaiya, Al Ain Tel: +971-3-7216690, Fax: 7216103, Email: zilliontrdg@gmail.com. **(Dubai)** BLACK & DECKER (OVERSEAS) GmbH, Dubai, DW, B&D PET, HHD, P.O. Box 5420, Dubai, Tel: +971-4-8127400/ 8127406, Fax: 2822765, Email: service.mea@sbdinc.com. **(Ras Al Khaimah)** Mc Coy Middle East LLC, Ras Al Khaimah, DW, B&D PET, HHD, P.O. Box 10584, Ras Al Khaimah, Tel: +971-7-2277095, Fax: 2277096, Email: mccoynrak@gmail.com. **(Sharjah)** Mc Coy Middle East LLC, Sharjah, DW, B&D PET, HHD, P.O. Box 25793, Sharjah, Tel: +971-6-5395931, Fax: 5395932, Email: mccoyn@emirates.net.ae; mccoynedwail@gmail.com. **UGANDA:** Anisuma Investment & Service Ltd. (Jacky's Electronics), HHD, J.R Complex, Ware house No.5, Plot No.101. 3rd Industrial Area, Jinja Rd, Kampala, Tel: 00256-414237106, Mob: 00256 779429501, Email: ha.service.uganda@anisuma.com. **YEMEN:** Middle East Trading Co. (METCO) DW, B&D PET, HHD, 5th Flr. Hayel Saeed Anam Bldg. Al-Mugamma St. Taiz, Yemen, Tel: +00967-4-213455, Fax: 00967-4-219869, Email: metco@metcotrading.com; sami@metcotrading.com. Middle East Trading Co. (METCO) DW, B&D PET, HHD, Mualla Dikka, Aden, Tel: 00967-2-222670, Fax: 00967-2-222670, metco@metcotrading.com; sami@metcotrading.com. Middle East Trading Co. (METCO), DW, B&D PET, HHD, Hayel st., Sana'a, Yemen, Tel: 00967-1-204201, Fax: 00967-1-204204, Email: metco@metcotrading.com; sami@metcotrading.com.



WARRANTY REGISTRATION CARD

YOUR NAME/ الإسم

YOUR ADDRESS العنوان

POSTCODE الرمز البريدي

DATE OF PURCHASE تاريخ الشراء

DEALER'S NAME & ADDRESS/ إسم و عنوان البائع

Large empty rounded rectangular box for additional information or signature.

PRODUCT MODEL NO. HX230

