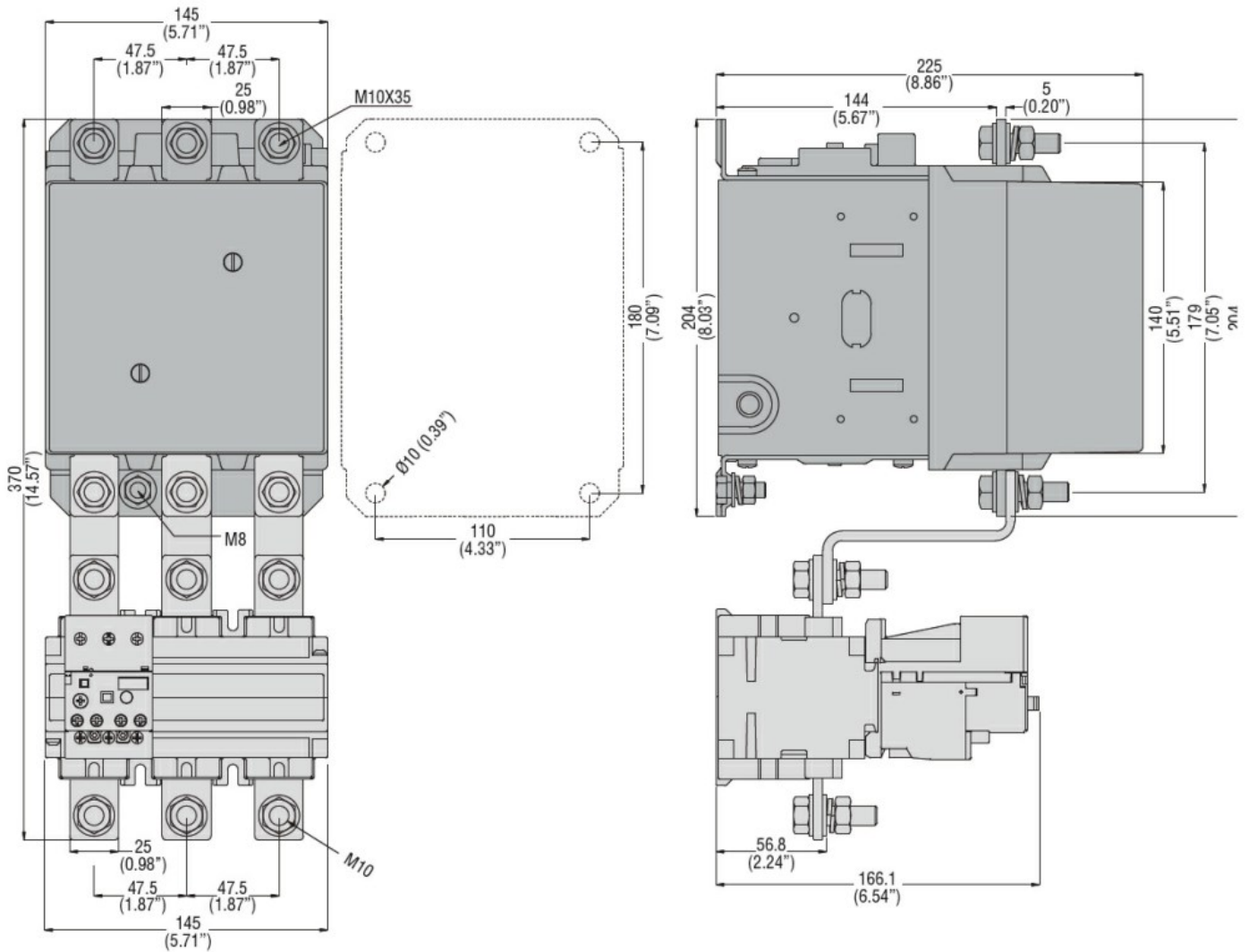


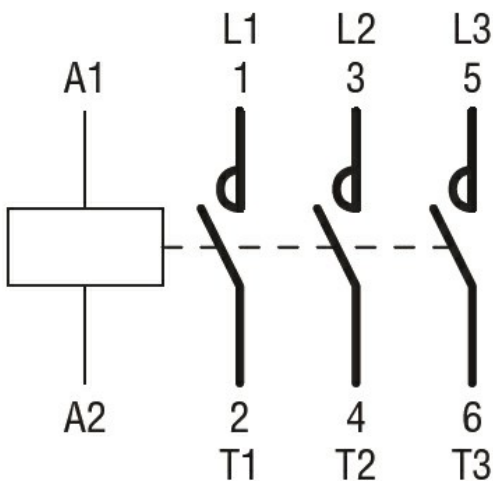


Product type designation	B250		
<b>Contact characteristics</b>			
Number of poles	nr.	3	
Rated insulation voltage $U_i$	V	1000	
Rated impulse withstand voltage $U_{imp}$	kV	8	
Operating frequency	Operational frequency min	Hz	25
	Operational frequency max	Hz	400
Conventional free air thermal current $I_{th}$	A	350	
Operating current	Operational current AC3 ( $\leq 440V \leq 55^\circ C$ )	A	265
	Operational current AC4 (400V)	A	92
	Short-time allowable current for 10s (IEC/EN60947-1)	A	2200
Protection fuse	gG (IEC)	A	400
	aM (IEC)	A	250
Making capacity (RMS value)	A	2750	
Breaking capacity at voltage	Breaking capacity 440V	A	2500
	Breaking capacity 500V	A	2250
	Breaking capacity 690V	A	2200
	Resistance per pole (average value)	m $\Omega$	0.2
Power dissipation per pole (average value)	Power dissipation pole (average value) $I_{th}$	W	24.5
	AC3	W	12.5
Tightening torque for terminals	min	Nm	35
	max	Nm	35
	min	lbft	25.8
	max	lbft	25.8
Tightening torque for coil terminal	min	Nm	1
	max	Nm	1
	min	lbft	0.74
	max	lbft	0.74
<b>Ambient conditions</b>			
Temperature	Operating temperature		
	min	$^\circ C$	-50
	max	$^\circ C$	70
	Storage temperature		
	min	$^\circ C$	-60
	max	$^\circ C$	80
Max altitude	m	3,000	
Operating position			

	normal allowable		Vertical plan ±30°
Mounting			Screw / DIN rail 35mm
Weight		g	9.575
<b>Operations</b>			
Mechanical life		Cycles	10,000,000
Electrical life		Cycles	1000000
<b>Safety related data</b>			
Mirror contacts according to IEC/EN 609474-4-1			Yes
EMC compatibility			Yes
<b>AC coil operating</b>			
Rated AC voltage at 50/60Hz, 60Hz		min V	24
		max V	480
AC operating voltage			
	of 50/60Hz coil powered at 50Hz pick-up		
		min %Us	80
		max %Us	110
<b>DC coil operating</b>			
DC operating voltage			
Average coil consumption ≤20°C		in-rush W	300
		holding W	10
<b>Max cycles frequency</b>			
Mechanical operations		Cycles/h	3,600
<b>Dimensions</b>			



### Wiring diagrams



### Certifications and compliance

#### Certifications

- CSA C22.2 n° 60947-1
- CSA C22.2 n° 60947-4-1
- IEC/EN 60947-1
- IEC/EN 60947-4-1
- UL 60947-1

Compliance	UL 60947-4-1
	CCC
	cULus
	EAC

**ETIM 6 classification**  
EC000066 - Power contactor, AC switching