
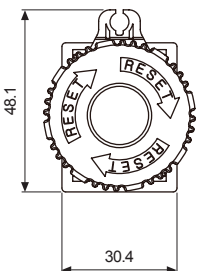
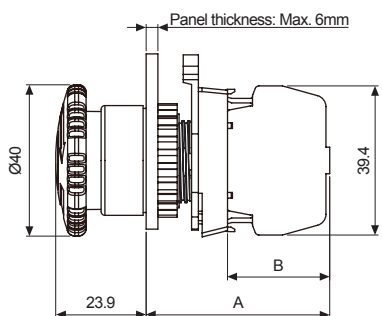

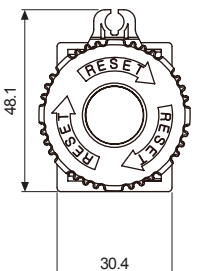
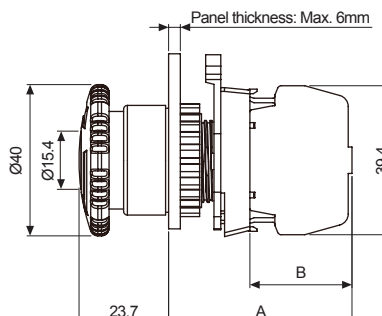


Ø22/25 Emergency Switches (S2ER Series)

Type	Appearance	Model	Contact block		LED block										
			A contact	B contact	AC/DC voltage	AC voltage									
D40 (short head)	 <p>S2ER-E3R□</p>	S2ER-E3RA(M)	1EA	—	—	—									
		S2ER-E3RA(M)	2EA	—											
		S2ER-E3R3A(M)	3EA	—											
		S2ER-E3RB(M)	—	1EA											
		S2ER-E3R2B(M)	—	2EA											
		S2ER-E3R3B(M)	—	3EA											
		S2ER-E3RAB(M)	1EA	1EA											
		S2ER-E3R2AB(M)	2EA	1EA											
		S2ER-E3RA2B(M)	1EA	2EA											
		<p>※The (M) in the model name indicates modular type contacts. Models without (M) are singular types. ※The control unit and contact blocks are sold separately. (control unit: bold letters, contact block: regular letters)</p> <p>• Dimensions (unit: mm)</p> <div style="display: flex; justify-content: space-around; align-items: flex-start;">   <table border="1" style="margin-left: auto;"> <thead> <tr> <th></th> <th>A</th> <th>B</th> </tr> </thead> <tbody> <tr> <td>Singular type contact</td> <td>48.5</td> <td>27.0</td> </tr> <tr> <td>Modular type contact</td> <td>46.5</td> <td>25.0</td> </tr> </tbody> </table> </div> <p style="text-align: right;">※For panel cut-out dimensions, please refer to page A-36.</p>								A	B	Singular type contact	48.5	27.0	Modular type contact
	A	B													
Singular type contact	48.5	27.0													
Modular type contact	46.5	25.0													
Type	Appearance	Model	Contact block		LED block										
			A contact	B contact	AC/DC voltage	AC voltage									
D40 (short head/ illuminated)	 <p>S2ER-E4R□</p>	S2ER-E4RAD(M)	1EA	—	1EA	—									
		S2ER-E4R2AD(M)	2EA	—	1EA	—									
		S2ER-E4R3A(M)	3EA	—	—	—									
		S2ER-E4RBD(M)	—	1EA	1EA	—									
		S2ER-E4R2BD(M)	—	2EA	1EA	—									
		S2ER-E4R3B(M)	—	3EA	—	—									
		S2ER-E4RABL(M)	1EA	1EA	—	1EA									
		S2ER-E4R2AB(M)	2EA	1EA	—	—									
		S2ER-E4RA2B(M)	1EA	2EA	—	—									
		<p>※The (M) in the model name indicates modular type contacts. Models without (M) are singular types. ※The control unit, contact blocks, LED blocks are sold separately. (control unit: bold letters, Contact block, LED block: regular letters)</p> <p>• Dimensions (unit: mm)</p> <div style="display: flex; justify-content: space-around; align-items: flex-start;">   <table border="1" style="margin-left: auto;"> <thead> <tr> <th></th> <th>A</th> <th>B</th> </tr> </thead> <tbody> <tr> <td>Singular type contact</td> <td>48.5</td> <td>27.0</td> </tr> <tr> <td>Modular type contact</td> <td>46.5</td> <td>25.0</td> </tr> </tbody> </table> </div> <p style="text-align: right;">※For panel cut-out dimensions, please refer to page A-36.</p>								A	B	Singular type contact	48.5	27.0	Modular type contact
	A	B													
Singular type contact	48.5	27.0													
Modular type contact	46.5	25.0													